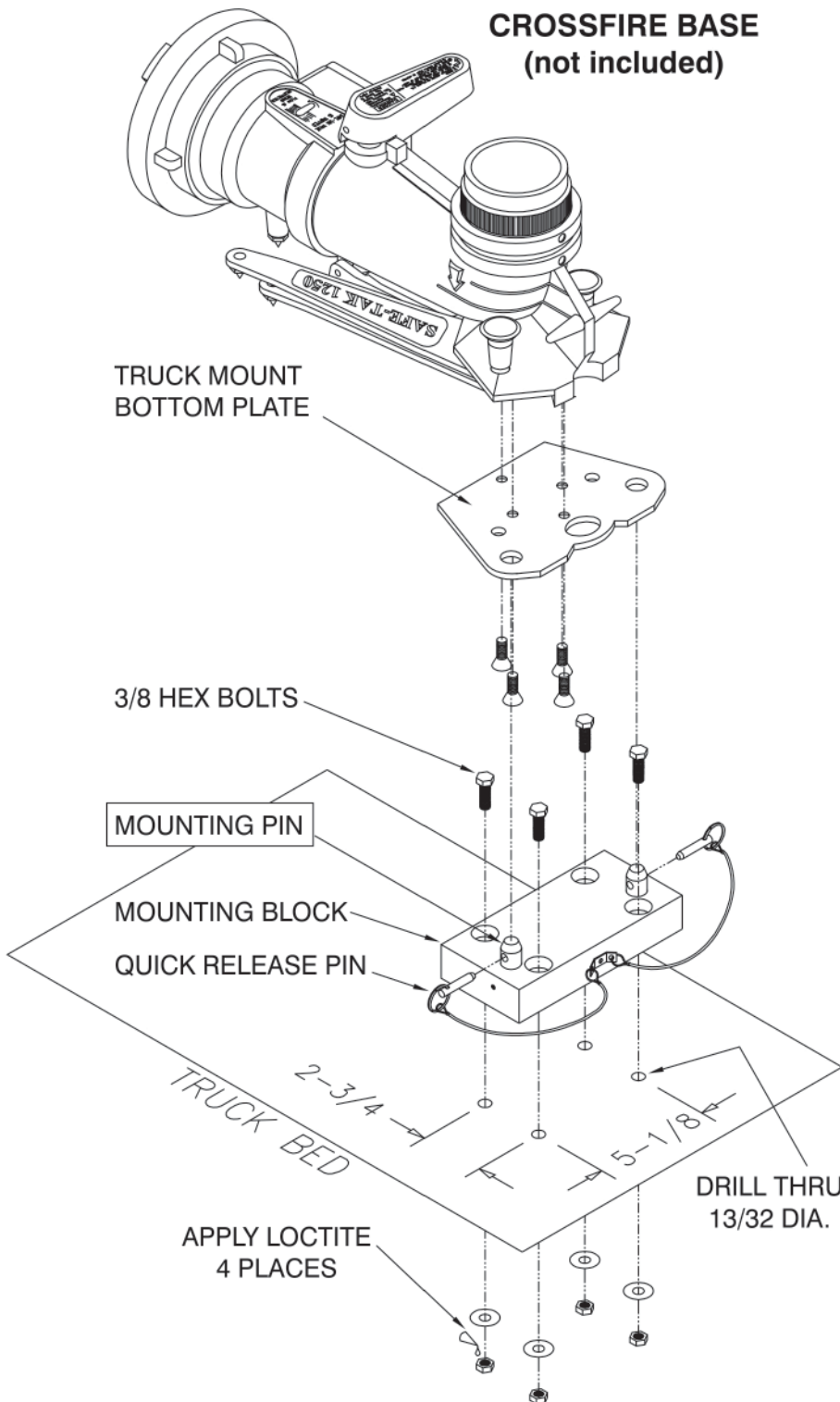


Instructions For Truck Mounting Of Crossfire Monitor Portable Base

Truck Mount Bottom Plate & Truck Mount Block Assembly XF 400-KIT



The **SAFE-TAK** and **STOW-A-WAY** portable monitor bases may be used mounted to a truck or other platform by means of a special bottom plate and mounting block.

Installation is accomplished as follows:

- A) Replace existing bottom plate on base with truck mount bottom plate. Use loctite when reinstalling screws.
- B) Secure mounting block to truck or platform by means of the 3/8 inch bolts, nuts, and washers provided. Use loctite on all screw threads. Assure that structure is capable of supporting a 650 lb. nozzle reaction.
- C) Place base over mounting pins on mounting block. Insert quick release pins through holes in mounting pins to secure base to mounting block.