



**TASK FORCE TIPS**

# SPECIFICATIONS FOR 1" QUADRAFOG Models DQ40, DQS40 & DQS40P

## CONSTRUCTION

This nozzle shall meet the flow requirements set forth in the NFPA Standard #1964, current edition. The nozzle shall be a selectable gallonage nozzle with four GPM settings. These settings shall be 5, 10, 24 and 40 GPM. The control ring shall be knurled and operate easily under all operational pressures. Flush without shutdown of the stream shall be a standard feature of this nozzle.

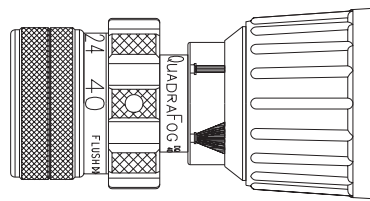
The shutoff valve shall be of the lever type with rotating valve as outlined in U.S. Department of Agriculture Specifications 5100-241B. Threads of either 1" NH or NPSH on the inlet side and an unobstructed 1" internal waterway shall be provided. The shutoff handle shall have stops machined into the body of the valve to provide positive on and off positions.

An ultra high molecular weight quick-change rear valve seat, that requires no special tools for replacement, shall be standard. Uniquely cut fog teeth, that provide a dense, evenly spread pattern and are not susceptible to bent, broken, or missing teeth, shall be standard.

Composition shall be of 6061 aluminum alloy and meet federal specification QQA-200/8. The color shall be black hardcoat anodize that meets and exceeds MIL-A-8625 specification for anodic coatings. Reflective labeling on all operational labels shall be standard. Each nozzle will have a serial number for tracking and maintenance documentation. A large bail handle of injection molded nylon shall be provided for rugged on and off operations. All connecting screws and the waterway ball shutoff shall be constructed of stainless steel. A large ribbed front rubber bumper shall be provided for easy firefighter pattern selection. Straight stream to wide fog pattern shall be accomplished with only a 1/2 turn of the bumper.

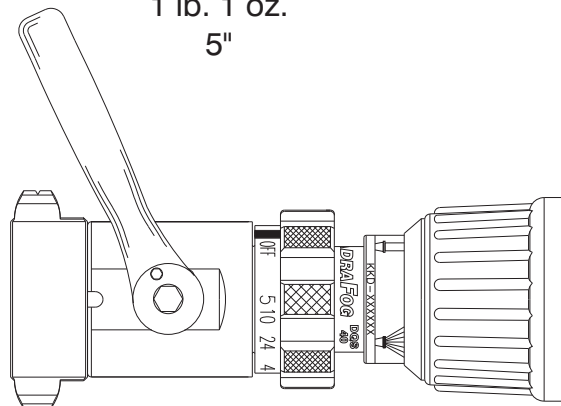
A full five-year material and workmanship warranty in writing shall be in force from the date of delivery, and a guaranteed 24-hour factory authorized repair service will be offered. A toll-free number, 800-348-2686, is available for technical information and support.

This nozzle shall be offered either with a ball shutoff and pistol grip (DQS40P), with ball shutoff alone (DQS40), or as a tip only for break and extend operations (DQ40).



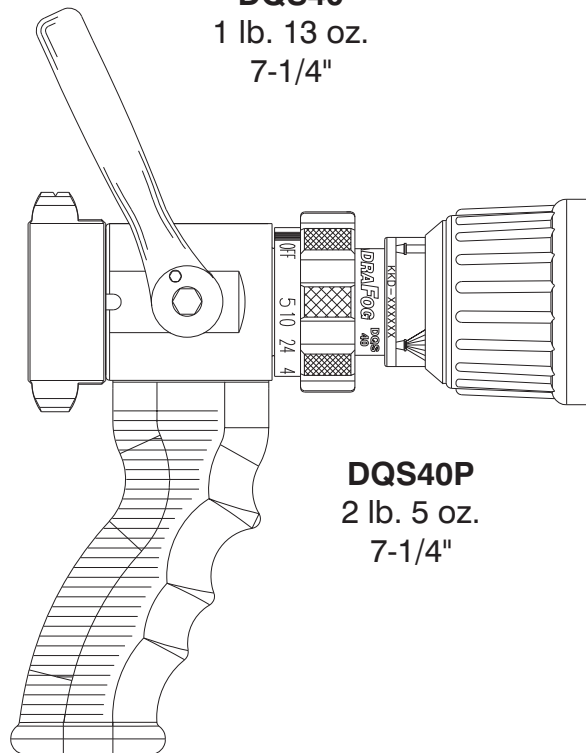
**DQ40**

1 lb. 1 oz.  
5"



**DQS40**

1 lb. 13 oz.  
7-1/4"



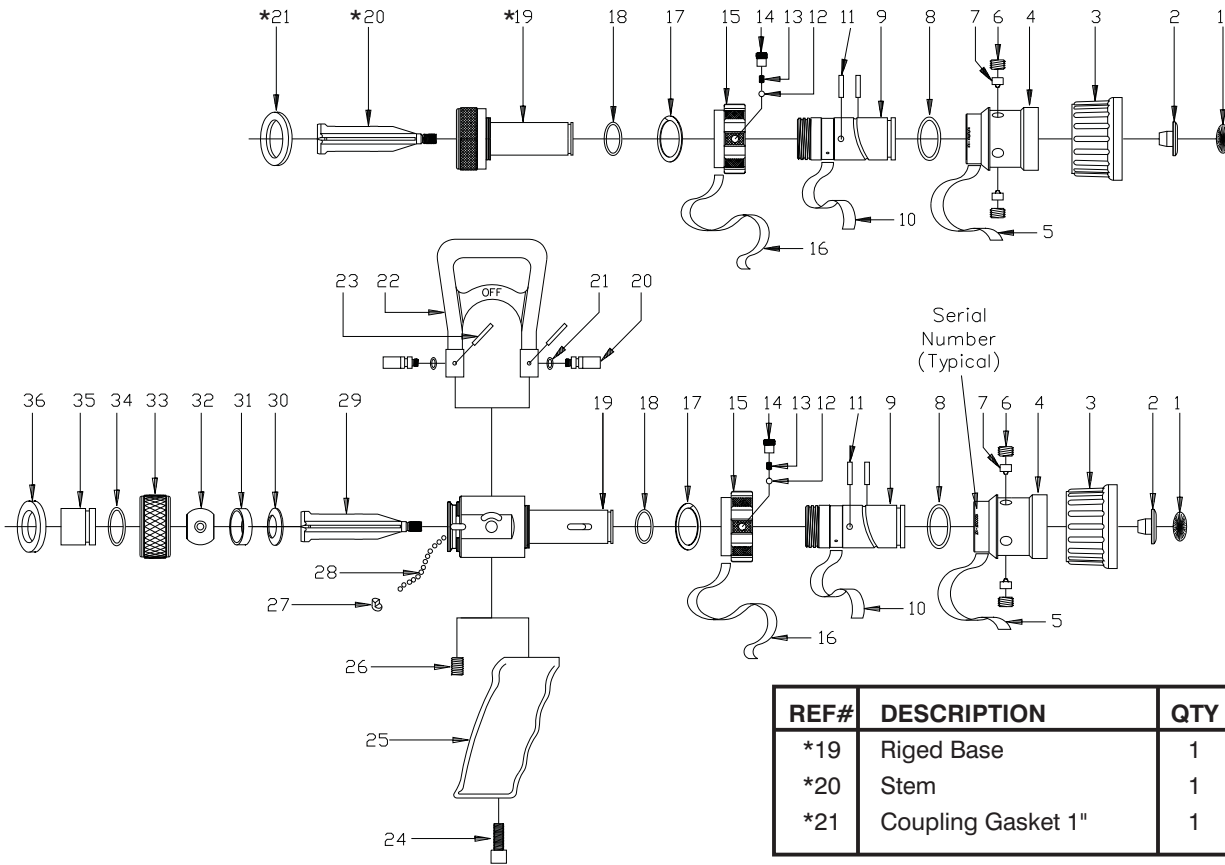
**DQS40P**

2 lb. 5 oz.  
7-1/4"

**TASK FORCE TIPS, Inc.**  
www.tft.com

2800 East Evans Avenue, Valparaiso, IN 46383-6940  
800-348-2686 • 219-462-6161 • Fax 219-464-7155

# DQ40 SERIES PARTS LIST



REF#	DESCRIPTION	QTY	ORDER#
*19	Riged Base	1	DQ205
*20	Stem	1	DQ280
*21	Coupling Gasket 1"	1	V3040

REF#	DESCRIPTION	QTY	ORDER#
1	DQ Deflector Label	1	DL10
2	Deflector	1	DQ210
3	Bumper	1	F270
4	Head	1	DQ220
5	DQ Pattern Label	1	DL200
6	Cup	2	DQ260
7	V-Follower	2	DQ265
8	O-Ring-123	1	V3765-123
9	Gallonage Sleeve DQS40	1	DQ241
10	DQ40 Name Label	1	DQ240
11	Key Pin	2	DQ250
12	3/16" Dia. Ball Torlon	1	V2120-TORLON
13	Spring #C0180-032-0310-S	1	VM4195
14	Detent Screw	1	D290
15	Index Ring	1	DQ230
16	DQ40 Gallange Label	1	DL340
17	Smalley Ring VS-137-S02	1	V4245
18	O-Ring-021	1	V3760-021

REF#	DESCRIPTION	QTY	ORDER#
19	DQS Base	1	DQ201
20	75 Trunion	2	D07540
21	O-Ring-010	2	V3735-010
22	75 Shutoff Handle	1	D07560
23	5/32 x 7/8 HDP Spirol Pin	2	V1900
24	3/8-16 x 7/8 Skt Cap	1	V1146
25	Pistol Grip, Small	1	FT290S
26	3/8-16 x 5/16 Skt Cap	1	V1170
27	Port Plug	1	B770
28	3/16 SS Ball-302 SS	28	V2120
29	Stem	1	DQ280
30	Belleville Washer	1	D07590
31	75 Front Seat	1	D07570
32	75 Ball	1	D07530
33	75 Coupling	1	D07510**
34	O-Ring-120	1	V3730-120
35	75 Rear Seat	1	D07580
36	Coupling Gasket, 1.0"	1	V3040

\*\*Specify Thread When Ordering