

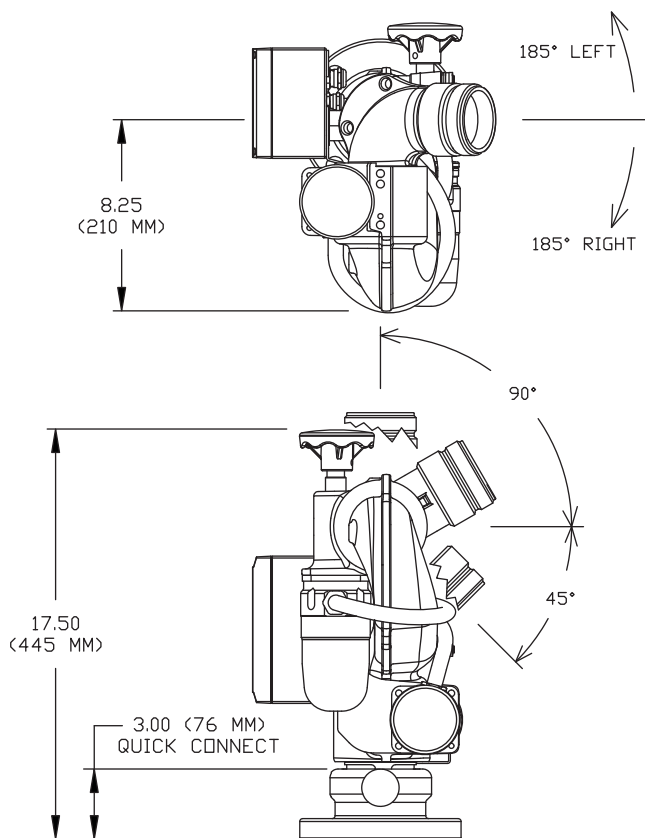


Introducing Task Force Tips Tornado Monitor

Remote Controlled Bumper Monitor



- Large 2.25 inch waterway making it the ideal bumper turret.
- Built-in waterway turning vane
- Only 19 psi (1.3 bar) friction loss at 500 gpm (1,900 lpm)
- Maximum operating pressure is 200 psi (14 bar)
- Elevation range is 90 degrees above horizontal to 45 degrees below
- Field changeable elevation travel stops
- Horizontal travel is 370 degrees (185 degrees either side of a center position).
- Field changeable horizontal travel stops
- Field changeable 12 VDC or 24 VDC operation
- Electric drives and circuit box are waterproof
- Hardcoat anodized ANSI 356-T6 aluminum



Electric Remote Control Nozzles



With flows from 10gpm up to 500gpm, the Tornado series is ideally suited for water, foam, CAFS, and dry chemical applications. This monitor series is available with your choice of fixed, selectable, automatic, and dual pressure automatic nozzles.

- Ultimatic Series of RC Nozzles flow 10-125gpm
- Mid-Range Series of RC Nozzles flow 70-200gpm

TASK FORCE TIPS, INC.
Made in USA • www.tft.com

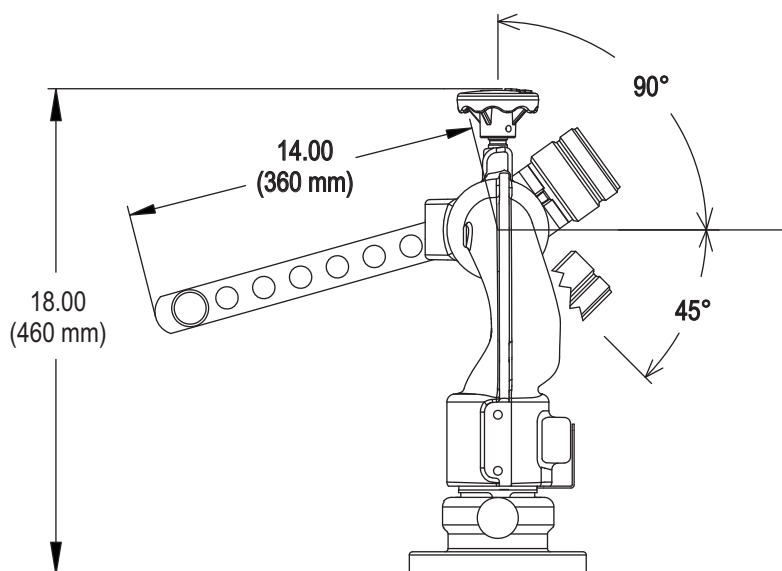
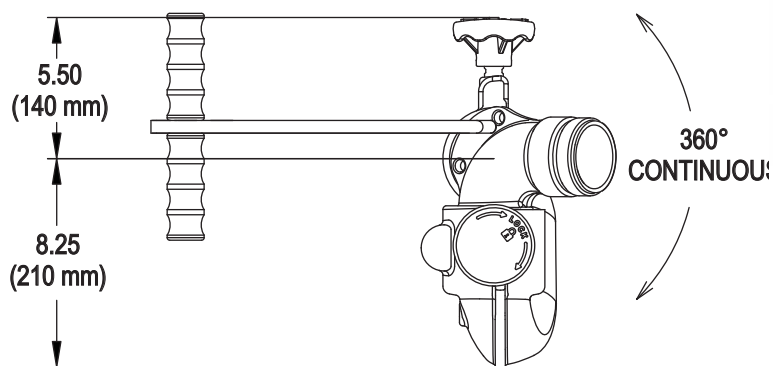
3701 Innovation Way, Valparaiso, IN 46383-9327 USA
800-348-2686 • 219-462-6161 • Fax 219-464-7155



Introducing Task Force Tips Tornado Monitor

Bumper Monitor

The Tornado is very compact yet it has a large 2.25 inch waterway making it the ideal manual turret. Waterway with turning vane has only 19 psi (1.3 bar) friction loss at 500 gpm (1,900 lpm). Maximum operating pressure is 200 psi (14 bar). Elevation range is 90 degrees above horizontal to 45 degrees below. Has 360 degree continuous horizontal rotation. Main waterway made from hardcoat anodized ANSI 356.0-T6 aluminum. Silver powdercoat finish inside and out. Standard inlet has both 3 inch male taper pipe thread and 2 inch female taper pipe threads. Standard outlets are 1 1/2" NH and 2 1/2" NH rigid male thread.



TASK FORCE TIPS, INC.
Made in USA • www.tft.com

3701 Innovation Way, Valparaiso, IN 46383-9327 USA
800-348-2686 • 219-462-6161 • Fax 219-464-7155