

# Zero to 1250 GPM in 30 Seconds . . .



*Monsoon Remote  
Controlled Monitor*

# . . . REALLY !

With only 6 psi loss at 1250 GPM flows, the remotely controlled Monsoon Monitor from Task Force Tips provides your limited crew with a powerful masterstream that can be placed in service quickly and safely.

The Monsoon, when combined with the Extenda-Gun telescoping waterway and handheld radio frequency controller, dramatically improves the fire flow performance of any apparatus.

To learn more about how you can integrate amazing new capabilities into your apparatus, contact your local TFT dealer today.



**TASK FORCE TIPS**  
Made in USA • [www.tft.com](http://www.tft.com)

3701 Innovation Way, Valparaiso, IN 46383-9327 USA  
US & CN 800.348.2686 • 1.219.462.6161 • fax 1.219.464.7155



U.S. & Canada (800) 348 2686 [www.tft.com](http://www.tft.com)

24 Hour Service Team: (800) 854 6864

TASK FORCE TIPS 3701 INNOVATION WAY, VALPARAISO, IN 46383-9327 MADE IN USA



QR US WITH YOUR CAMERA PHONE

(Quick Response Applications are available from your smart phone company.)

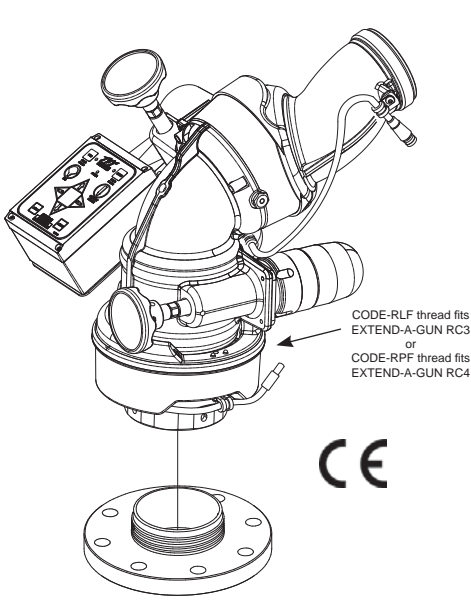
**MONSOON RC SERIES**  
Visit [www.tft.com/FE12](http://www.tft.com/FE12) to see a complete video overview of the Monsoon Remote Controlled Monitor.



### Remote Controlled Deck Monitor - Up To 2000 GPM

### Designed for Pumper Applications

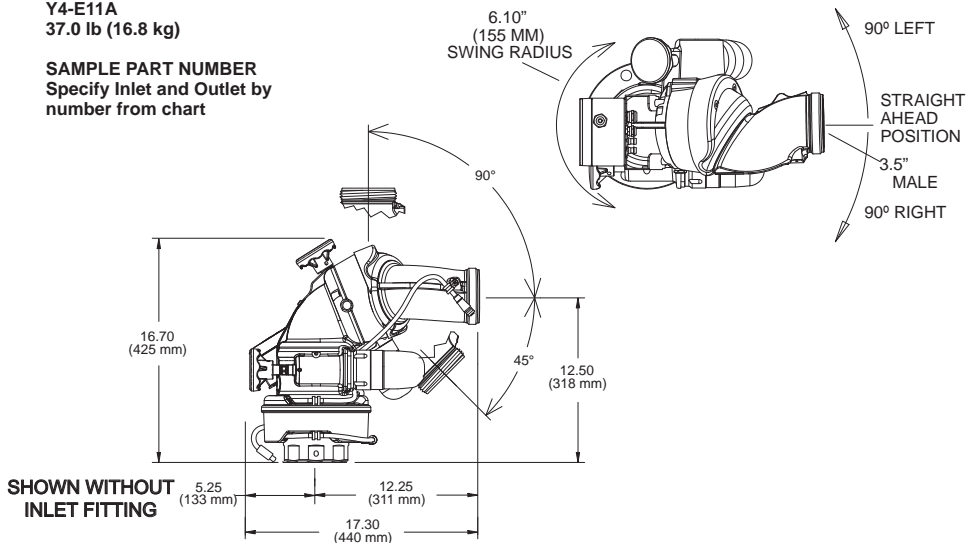
The Monsoon RC for pumper installations is an electric remote controlled monitor that has all the benefits of the Monsoon monitor with the addition of powered operation. It has a greater horizontal sweep angle than the RC model for Ladder or Platform installations. Designed for 12 VDC or 24 VDC operation, selection is automatic. The Monsoon RC comes with a factory installed control panel mounted on the monitor for controlling horizontal rotation, elevation, nozzle pattern and programmable PARK and Oscillate. The motor control circuits are factory installed on the monitor and use position encoders and current limiting to protect the drive train at the ends of travel. Unit comes with 30 feet of ultra-flexing robotics cable already wired to the monitor so installation effort is minimized. Cable has only four conductors (two for power and two for communications), further easing the installation effort. Cable is enclosed in a unique wire guide that allows 450° of horizontal travel (225° either side of a center position), which is far more reliable than slip rings or coil cords. Knobs for manual override are provided on the horizontal rotation and elevation drive. TFT's Master ERP nozzles plug into the factory installed nozzle power wire. Electric drives and control box are waterproof. Main waterway made from hardcoat anodized ANSI 356-T6 aluminum. Silver powder coat finish inside and out. Standard outlet is 3.5" NH (90 mm) rigid male thread. Other outlets are available. RC Monitor delivered with wireless antenna installed.



4" ANSI 150 INLET FITTING SHOWN OTHER INLET FITTINGS SIMILAR

**Y4-E11A**  
37.0 lb (16.8 kg)

**SAMPLE PART NUMBER**  
Specify Inlet and Outlet by number from chart



Y4-

Actuation	Inlet	Outlet
E) Electric	1) 3" ANSI 150	9) 4" BSP Male
M) Manual	2) 4" ANSI 150	L) TFT CODE-RLF*
T) Tiller	3) 6" ANSI 150	P) TFT CODE-RPF*
	4) DN80, PN16	Q) 4.5"NH Quick Connect for VUM
	5) DN100, PN16	R) 4.5"NH Quick Connect with 4" ANSI 150
	6) 3" NPT Female	S) 4.5"NH Quick Connect with 4" NPT female
	7) 4" NPT Female	T) 4.5"NH Quick Connect with CODE-RLF*
	8) 3" BSP Male	U) 4.5"NH Quick Connect with CODE-RPF*
		1) 3.5"-6 NH Male
		2) 3.5"-11 BSP Male
		3) 3.5"-8 NPSH Male
		4) 4.0"-11 BSP Male
		9) Special

\*TFT CODE-RLF Fits Extend-A-Gun RC3

\*TFT CODE-RPF Fits Extend-A-Gun RC4