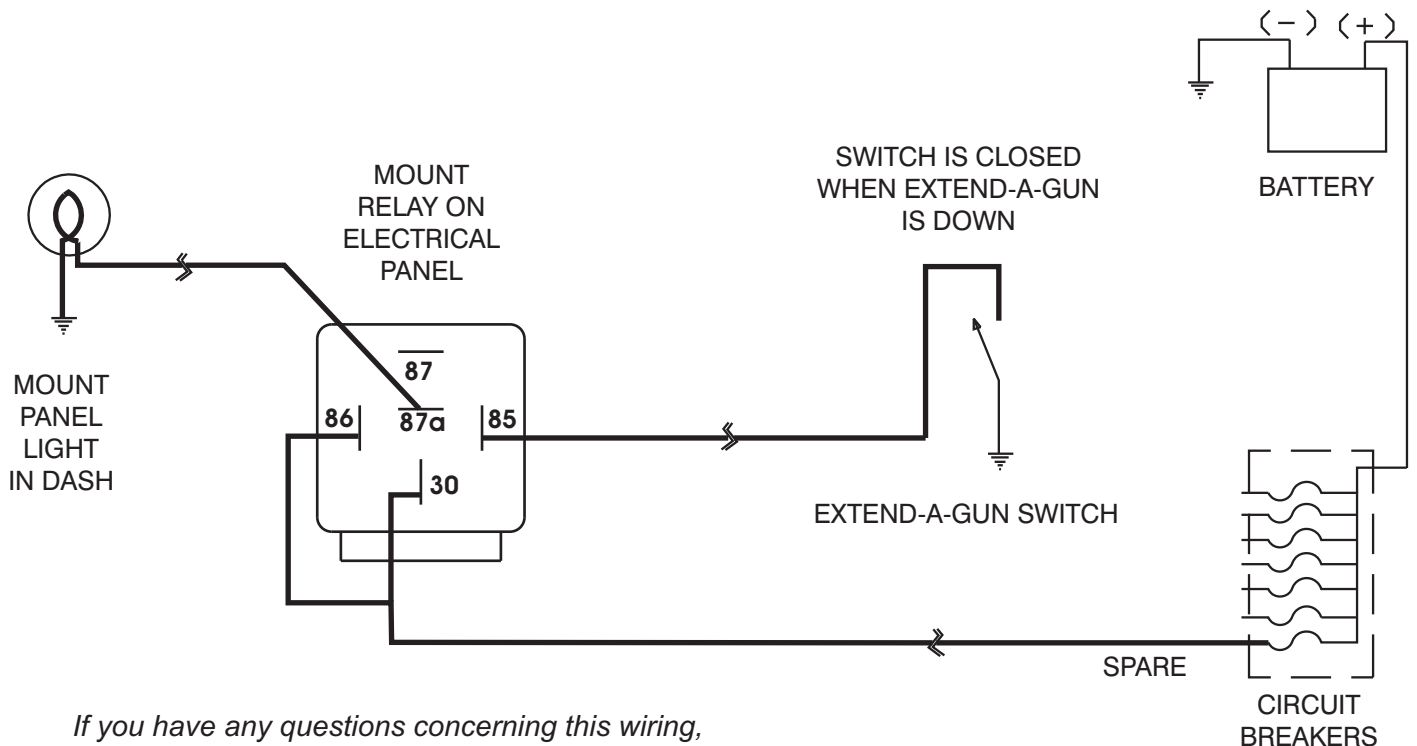


The Extend-A-Gun latch mechanism contains a magnetic switch. This switch is intended to be used with a MONITOR EXTENDED warning light. The magnetic switch in the Extend-A-Gun is a normally open switch, and the switch is closed when the Extend-A-Gun is in the down position. **The enclosed relay MUST BE USED** to limit the current through the switch.

Use the wiring diagram below.

- 1) Screw the threaded switch body into the tapped hole in the Extend-A-Gun latch casting after the Extend-A-Gun is permanently installed. Be careful not to twist or break the wires.
- 2) Mount the relay on the electrical panel with the terminals accessible.
- 3) Drill a 1/2" diameter hole in the dash board for the panel light. Leave enough room for a 1-13/16" diameter label around the light or a 2" wide x 1-1/2" high label next to the light. Apply one of the two warning labels and push the panel light through the hole in the dash.
- 4) Connect the labeled wires on the switch to terminal #85 on the relay and ground respectively.
- 5) Connect the terminals on the panel light to terminal #87A on the relay and ground respectively.
- 6) Connect a wire from a "spare" position on the trucks circuit breaker panel to terminals #30 and #86. The circuit from the "spare" position in the fuse block should only be energized when the ignition switch is in the ON position.



If you have any questions concerning this wiring, contact Task Force Tips at 800-348-2686.