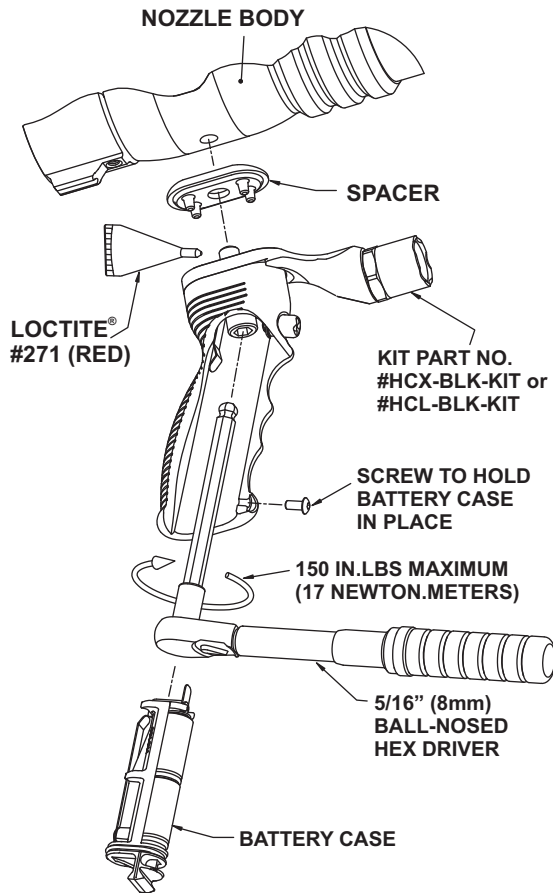


# Instruction: Search-Lite Kit Installation

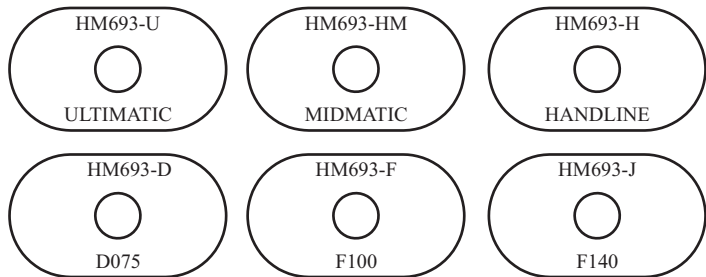


**HCX-BLK-KIT:** Black Grip w/ Xenon Lamp Head Unit

**HCL-BLK-KIT:** Black Grip w/ LED Head Unit

- 1) Remove old grip from valve body by inserting a 5/16" (8mm) Ball-Nosed Hex driver.
- 2) Remove and discard the used mounting screw, washer, grip, and spacer.
- 3) Unscrew the Phillips screw at the bottom of the Search-Lite Kit and remove the Battery case using the screwdriver.
- 4) Insert the new 5/16" mounting screw up through the Search-Lite pistol grip.
- 5) Place the new corresponding spacer on top of the Search-Lite Kit so that the 5/16" mounting screw protrudes through the hole.
- 6) Place enough Loctite® on the threads of the mounting screw so that the first five threads are 'wetted' with adhesive.
- 7) Place the Search-Lite assembly on the nozzle valve body and thread the mounting screw into the screw hole in the valve body.
- 8) Tighten the mounting screw to a maximum torque of 150 INCH.LBS (17 NEWTON.METERS) maximum using a 5/16" (8mm) Ball-Nosed Hex driver.
- 9) Place Battery Case back in grip all-the-way and tighten Phillips screw until snug.
- 10) Check to make sure the Search-Lite Kit works.
- 11) If batteries need to be replaced, use 3Volt Lithium Type 123A batteries. (Discard spent batteries according to your local regulations)

Nozzle Type	Spacer Part Number
Ultimatic	HM693-U
Mid-Matic, Mid-Force	HM693-HM
Handline, Dual-Force	HM693-H
D Series	HM693-D
F Series	HM693-F
J Series	HM693-J



## This Kit will not fit if:

Your Ultimatic, Midmatic, Mid-Force, Handline or Dual-Force nozzle has a pistol grip that looks like this or has a serial number **lower than TFT\*-325000**.

