

Remotely Control Your Water Supply . . .



Hydrant Master Remote Controlled Hydrant Valve.

. . . REALLY !

Maximize the effectiveness of your crews with TFT's Hydrant Master remotely controlled hydrant valve. Integrating reliable 900 MHz communications, pre-programmed slow open

and close operations, and a digital pressure display at the pumper, this valve is the perfect tool for any pump operator establishing a hydrant water flow operation with limited staffing.

To learn more about how you can improve both effectiveness and safety during initial attack operations, contact your local TFT dealer today.



TASK FORCE TIPS
Made in USA • www.tft.com

3701 Innovation Way, Valparaiso, IN 46383-9327 USA
US & CN 800.348.2686 • 1.219.462.6161 • fax 1.219.464.7155



U.S. & Canada **800.348.2686** www.tft.com
 24 Hour Service Team: **800.854.6864**

TASK FORCE TIPS 3701 INNOVATION WAY, VALPARAISO, IN 46383-9327 MADE IN USA



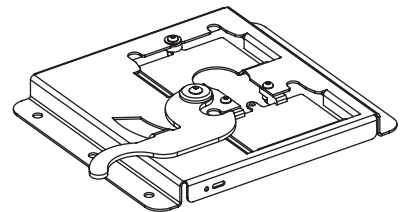
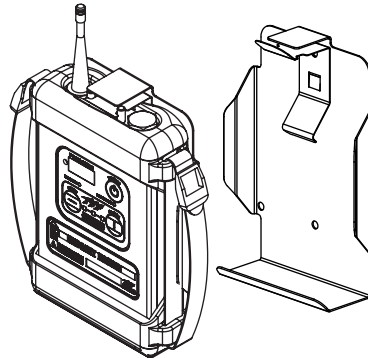
RC HYDRANT VALVE

Visit www.tft.com/FE7 to see a complete video overview of the Hydrant Master RC Hydrant Valve.

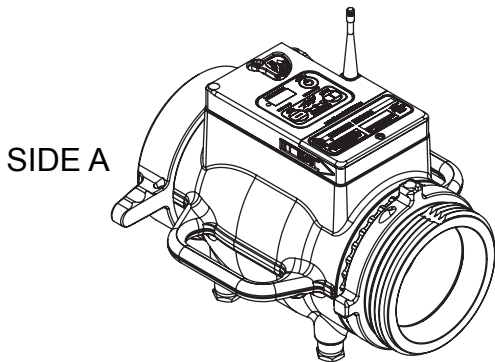
HYDRANT MASTER Remote Control

The Hydrant Master is a lightweight, low friction-loss hydrant valve that can be used in many water distribution applications. The valve is powered by (4) AA batteries, pressure activated, and equipped with a power-save mode. A handheld controller with pressure display and valve position feedback controls the valve up to 1200 feet (366 m) away. Both the valve and handheld are equipped with backlighting for use in low-light situations. The valve opens and closes with a sliding plug which is compliant with NFPA 1965 slow close requirements. The valve's position is controlled by operating a control valve which can be moved manually, operated electronically from push buttons on the valve, or by wireless remote control.

**SAMPLE
 AU6R7R**
 31.0 lbs (14.1kg)
 10.00" (25.4cm) Height
 13.50" (34.3cm) Width
 12.00" (30.5cm) Depth



AU-BRACKET
 5.5 lbs (2.5kg)



SIDE A

SIDE B

SIDE A INLET FROM HYDRANT

SIDE B OUTLET TO ATTACK

AU

SIDE A INLET FROM HYDRANT		SIDE B OUTLET TO ATTACK	
Style	Size	Style	Size
2) Storz Swivel	P) 4"	1) Storz Rigid	P) 4"
6) F Long Handle Swivel	R) 4.5"	7) M Rigid	R) 4.5"
	T) 5"		T) 5"
	X) 6"		X) 6"

(Choose Side A & Size / Side B & Size suffix from table)

Example: A 4" Storz Swivel inlet to a 5" National Hose thread Male Rigid Outlet would be a AU2P7T.