

# Pump Capacity Through a Low-Level Strainer . . .



*High Volume,  
Low-Level Strainer  
for drafting operations.*

## . . . REALLY !

Available with an optional jet siphon, TFT's Low Level High Volume Strainer efficiently provides flows up to 2000 gpm with less than 1 psi of loss.

Designed to eliminate air vortexes that often interrupt critical drafting operations, the unique pivoting design also picks up water to within inches of the bottom of your portable tank.

To learn more about how you can improve your drafting performance during initial attack operations, contact your local TFT dealer today.



**TASK FORCE TIPS**

Made in USA • [www.tft.com](http://www.tft.com)

3701 Innovation Way, Valparaiso, IN 46383-9327 USA  
US & CN 800.348.2686 • 1.219.462.6161 • fax 1.219.464.7155



U.S. & Canada (800) 348 2686 [www.tft.com](http://www.tft.com)

24 Hour Service Team: (800) 854 6864

TASK FORCE TIPS 3701 INNOVATION WAY, VALPARAISO, IN 46383-9327 MADE IN USA



QR US WITH YOUR CAMERA PHONE

(Quick Response Applications are available from your smart phone company.)



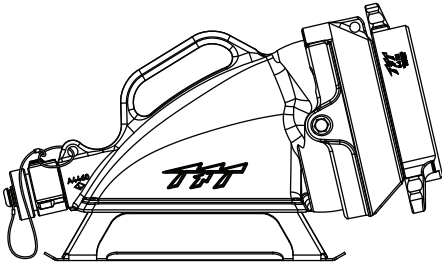
LOW LEVEL STRAINER WITH OPTIONAL JET SIPHON

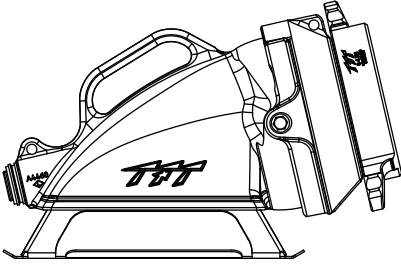
Visit [www.tft.com/FE8](http://www.tft.com/FE8) to see a complete video overview of TFT's High Volume Low-Level Strainer.

## LOW LEVEL STRAINER

AS SEEN IN TFT'S PRICE LIST AND PRODUCT SPECIFICATIONS BOOK

High volume low-level strainer is made of hard anodized and powder-coated aluminum. Clog-resistant stainless steel filter has over twice as much flow area as a 6" hose. This keeps friction loss down to 0.5 psi (1" Hg) at 1500 gpm and reduces the potential for air vortexes to form as water sinks towards the 2.5" minimum usable depth. Oversized sealed ball pivot allows 45° range of hose angle without constricting the flow path. Optional Jet Siphon with 1.5" female hose thread substantially increases suction lift capability. The Jet Siphon is also useful for tank shuttle operations, pump priming and dewatering without the need for a trash pump.

LOW LEVEL STRAINER - JET SIPHON	4" (100mm) Threaded 21.7 lb (9.9kg) 12.1" (30.7cm) height 14.9" (37.8cm) width 22.5" (57.2cm) depth	4.5" (115mm) Threaded 21.3 lb (9.6kg) 12.1" (30.7cm) height 14.9" (37.8cm) width 21.9" (55.6cm) depth	5" (125mm) Threaded 21.3 lb (9.6kg) 12.1" (30.7cm) height 14.9" (37.8cm) width 21.9" (55.6cm) depth
	<b>A03NP-JET</b>	<b>A03HNR-JET</b>	<b>A03HNT-JET</b>
	<b>6" (150mm) Threaded</b> 20.9 lb (9.5kg) 12.1" (30.7cm) height 14.9" (37.8cm) width 21.3" (54.1cm) depth	<b>5" Storz</b> 22.6 lb (10.3 kg) 12.1" (30.7cm) height 14.9" (37.8cm) width 22.7" (55.7cm) depth	<b>6" Storz</b> 27.0 lb (12.2kg) 12.1" (30.7cm) height 14.9" (37.8cm) width 23.9" (60.6cm) depth
	<b>A03HNX-JET</b>	<b>A03ST-JET</b>	<b>A03SX-JET</b>

LOW LEVEL STRAINER - NO JET SIPHON	4" (100mm) Threaded 20.5 lb (9.3kg) 12.1" (30.7cm) height 14.9" (37.8cm) width 20.4" (51.8cm) depth	4.5" (115mm) Threaded 20.2 lb (9.2kg) 12.1" (30.7cm) height 14.9" (37.8cm) width 19.7" (50.2cm) depth	5" (125mm) Threaded 20.2 lb (9.2kg) 12.1" (30.7cm) height 14.9" (37.8cm) width 19.7" (50.2cm) depth
	<b>A03NP</b>	<b>A03HNR</b>	<b>A03HNT</b>
	<b>6" (150mm) Threaded</b> 19.8 lb (9.0kg) 12.1" (30.7cm) height 14.9" (37.8cm) width 19.2" (48.7cm) depth	<b>5" Storz</b> 21.5 lb (9.8kg) 12.1" (30.7cm) height 14.9" (37.8cm) width 20.6" (52.3cm) depth	<b>6" Storz</b> 26.0 lb (11.8kg) 12.1" (30.7cm) height 14.9" (37.8cm) width 21.7" (55.2cm) depth
	<b>A03HNX</b>	<b>A03ST</b>	<b>A03SX</b>