



MANUAL: 2.5" GATED WYE

INSTRUCTIONS FOR SAFE OPERATION AND MAINTENANCE

WARNING

Understand manual before use. Operation of this device without understanding the manual and receiving proper training is a misuse of this equipment. Obtain safety information at www.tft.com/serial-number

OPERATING RANGE

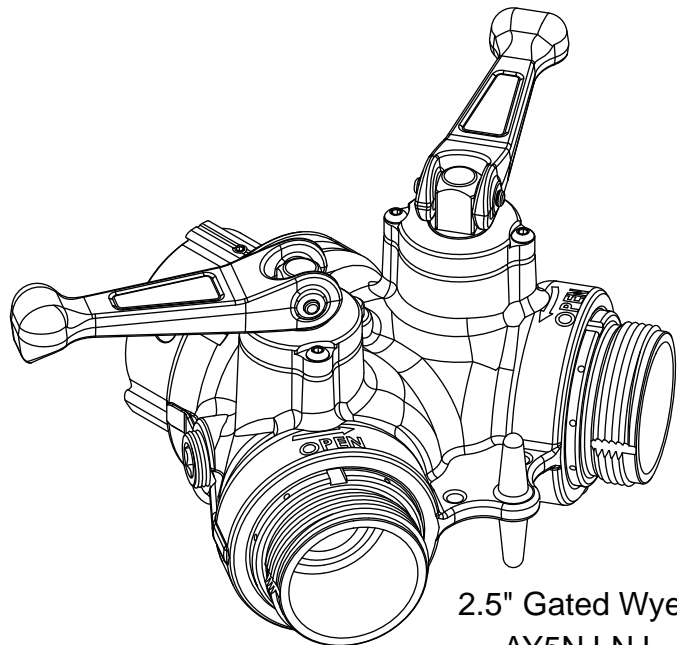
Pressure Max 300 PSI

Pressure Min Full Vac.

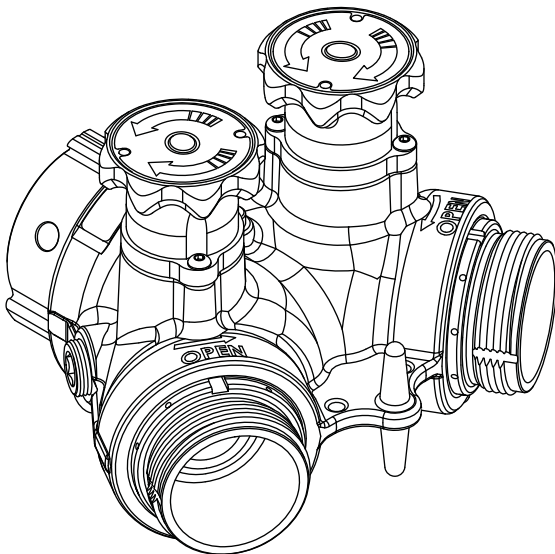
Hydrostatic

Proof Test:

900 PSI



2.5" Gated Wye
AY5NJ-NJ



2.5" Slow Close Gated Wye
AY5NJ-NJ-SC

TASK FORCE TIPS, INC.
MADE IN USA • www.tft.com

3701 Innovation Way, Valparaiso, IN 46383-9327 USA
800-348-2686 • 219-462-6161 • Fax 219-464-7155



PERSONAL RESPONSIBILITY CODE

The member companies of FEMSA that provide emergency response equipment and services want responders to know and understand the following:





1. Firefighting and Emergency Response are inherently dangerous activities requiring proper training in their hazards and the use of extreme caution at all times.
2. It is your responsibility to read and understand any user's instructions, including purpose and limitations, provided with any piece of equipment you may be called upon to use.
3. It is your responsibility to know that you have been properly trained in Firefighting and /or Emergency Response and in the use, precautions, and care of any equipment you may be called upon to use.
4. It is your responsibility to be in proper physical condition and to maintain the personal skill level required to operate any equipment you may be called upon to use.
5. It is your responsibility to know that your equipment is in operable condition and has been maintained in accordance with the manufacturer's instructions.
6. Failure to follow these guidelines may result in death, burns or other severe injury.



Fire and Emergency Manufacturers and Service Association
P.O. Box 147, Lynnfield, MA 01940 • www.FEMSA.org




1.0 MEANING OF SAFETY SIGNAL WORDS

A safety related message is identified by a safety alert symbol and a signal word to indicate the level of risk involved with a particular hazard. Per ANSI standard Z535.6-2011, the definitions of the four signal words are as follows:

-  **DANGER** indicates a hazardous situation which, if not avoided, will result in death or serious injury.
-  **WARNING** indicates a hazardous situation which, if not avoided, could result in death or serious injury.
-  **CAUTION** indicates a potentially hazardous situation which, if not avoided, could result in minor or moderate injury.
-  **NOTICE** is used to address practices not related to physical injury.

SAFETY INSTRUCTIONS (or equivalent) signs indicate specific safety-related instructions of procedures





2.0 SAFETY

-  **WARNING** Quick changes in valve position can cause high pressure spikes due to water hammer and may result in damaged equipment which could lead to injury or death. Open and close the valve slowly to avoid water hammer.
-  **WARNING** Kinks in supply hose may reduce water flow and cause injury or death to persons dependant on water flow. Avoid tight bends to minimize risk of hoseline kinks.
-  **CAUTION** Use with salt water is permissible provided the valve is thoroughly cleaned with fresh water after each use. The service life of the valve may be shortened due to the effects of corrosion and is not covered under warranty.

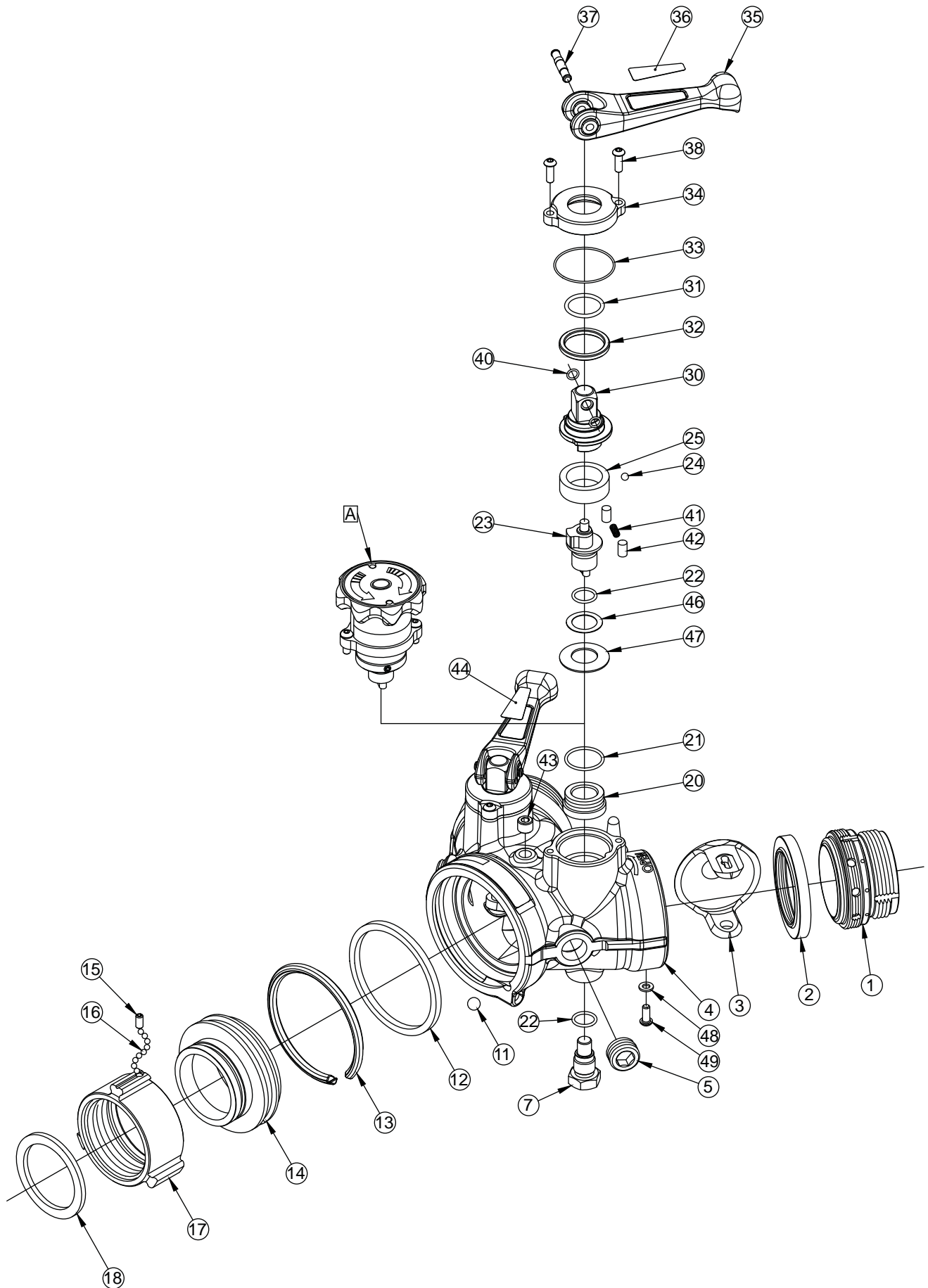
3.0 MAINTENANCE

This valve should be disconnected, cleaned and visually inspected inside and out at least twice annually, or as water quality and use may require. Moving parts such as handles, valve ball and couplings should be checked for smooth and free operation. Seals shall be greased as needed with a Silicone based grease such as Dow Corning 112. Any scrapes that expose bare aluminum should be cleaned and touched up with enamel paint such as Rust-Oleum. Replace any missing or damaged parts before returning to service.

Per NFPA 1962; *“Special care shall be taken where couplings of dissimilar metals are connected, as corrosion can occur due to this difference and moisture tends to accelerate this corrosion. Where couplings of dissimilar metals are left connected, they shall be disconnected and inspected at least quarterly. If corrosion exists, the couplings shall be cleaned and an anticorrosive lubricant specified by the coupling manufacturer shall be applied to the threads.”* TFT recommends Dow Corning 111 or 112 Silicone.

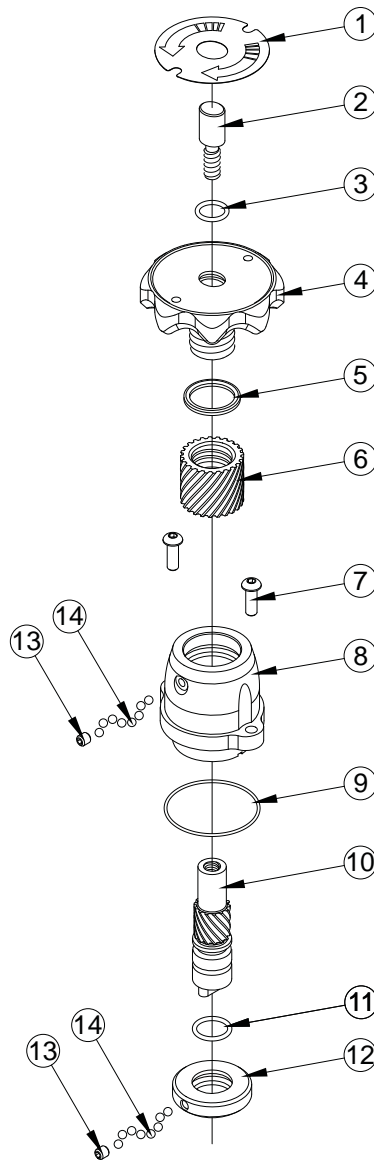
-  **CAUTION** Any alterations to the 2.5” Gated Wye and its markings could diminish safety and constitute a misuse of this product.
-  **CAUTION** Maximum operating pressure 300 psi (20 bar). Do not exceed 300 psi (20 bar) on either side of the valve.
-  **CAUTION** Valve must be properly connected. Mismatched or damaged connectors may cause leaking or uncoupling under pressure and could cause injury.
-  **CAUTION** Dissimilar metals coupled together can cause galvanic corrosion that can result in the inability to unscrew the threads or complete loss of thread engagement over time. Per NFPA 1962, *“Special care shall be taken where couplings of dissimilar metal are connected, as corrosion can occur due to this difference and moisture tends to accelerate this corrosion. Where couplings of dissimilar metals are left connected, they shall be disconnected and inspected at least quarterly. If corrosion exists, the couplings shall be cleaned and an anticorrosive lubricant specified by the coupling manufacturer shall be applied to the threads,”* TFT recommends Dow Corning 111 or 112 Silicone.

4.0 EXPLODED VIEW AND PARTS LIST



#	DESCRIPTION	QTY	PART#
1	SIDE B ADAPTER 2 1/2	2	AY360*
	SIDE B ADAPTER HSBGM30		AY365
2	VALVE SEAT	2	AY315
3	HALF BALL	2	AY310
4	GATED WYE BODY	1	AY300
5	3/4"NPTM HEX SOCKET PLUG	2	XG410
7	LOWER TRUNNION	2	AY353
11	7/16" SS BALL	1	VB.437
12	CUP SEAL LOADED	1	A1597
13	PLASTIC STRIP 4.25"	1	A1292
14	MATE 3.0"HSBGM X PSM4.25	1	A4710
15	1/4-28 X 1/2 SOCKET SET SCREW	1	VT25-28SS500
16	3/16" SS BALL	48	V2120
17	COUPLING 2.5"	1	M307*
18	GASKET 2.5"	1	V3190
20	INNER BUSHING	2	AY351
21	O-RING-123	2	VO-123
22	O-RING-115	4	VO-115
23	INNER UPPER TRUNNION	2	AY350
24	1/4" SS BALL	2	V2125
25	FLOATING RING	2	AY352
30	OUTER UPPER TRUNNION	2	AY320
31	O-RING-214	2	VO-214
32	BUSHING	1	AY324
33	O-RING-033	2	VO-033
34	TRUNNION RETAINER	2	AY354
35	VALVE HANDLE	2	AY340
36	FOLDING HANDLE LABEL - RED	1	AY342-RED
37	HANDLE PIVOT PIN	2	AY345
38	1/4-20 X 3/4 BUTTON HEAD SCREW	4	VT25-20BH750
40	O-RING-011	4	VO-011
41	SPRING	2	HC115
42	DOWEL PIN	4	VP312X.50
43	1/4"NPT PLUG	1	VFSP2M-SS
44	FOLDING HANDLE LABEL - BLUE	1	AY342-BLU
45	WYE AND HYDRANT VALVE LABEL	1	AY305
46	WASHER	1	G636-020
47	BELLEVILLE SPRING	1	AY325
48	WASHER	2	VW500X265-63
49	1/4-20 X 5/8 BUTTON HEAD SCREW	2	VT25-20BH625
A	LEFT HAND SLOW CLOSE VALVE SUBASSEMBLY	2	AY970L
	RIGHT HAND SLOW CLOSE VALVE SUBASSEMBLY		AY970R
* - CONTACT FACTORY FOR SPECIAL THREADS			

SECTION A

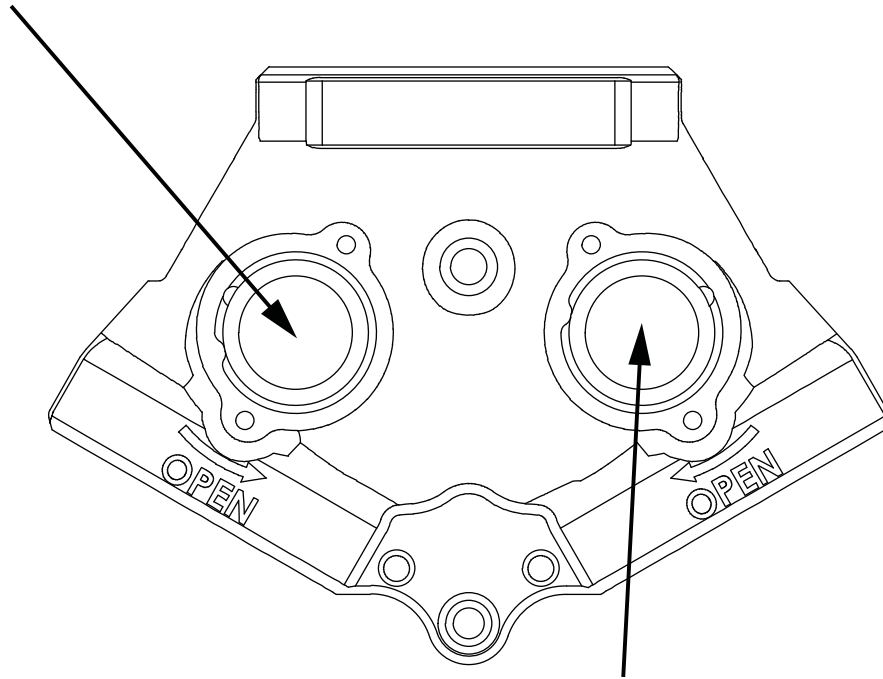


#	DESCRIPTION	QTY	PART#
1	LABEL	1	AY370L
2	INDICATOR	1	AY375
3	O-RING-113	1	VO-113
4	KNOB	1	AY370
5	QUAD-RING-214	1	VOQ-4214
6	LEFT SLEEVE	1	AY371L
	RIGHT SLEEVE		AY371R
7	1/4-20 X 3/4 BUTTON HEAD SCREW	2	VT25-20BH750
8	STATOR LEFT	1	AY373L
	STATOR RIGHT		AY373R
9	O-RING-033	1	VO-033
10	LOWER LEFT TRUNNION	1	AY374L
	LOWER RIGHT TRUNNION		AY374R
11	O-RING-115	1	VO-115
12	RETAINER	1	AY372
13	1/4-28 X 1/4 SOCKET SET SCREW	2	VT25-28SS250
14	3/16" SS BALL (20 PER UPPER RACE)	34	V2120

5.0 SLOW CLOSE VALVE TIMING

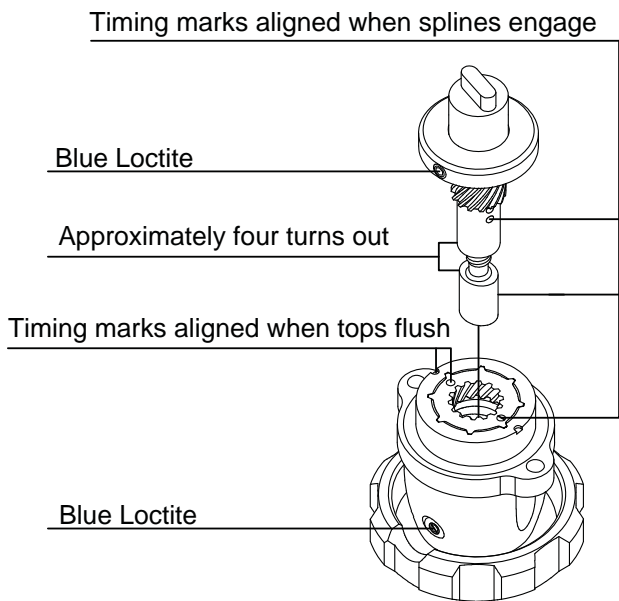
LEFT

Uses left sleeve, stator and trunnion.
(see exploded view and parts list)



RIGHT

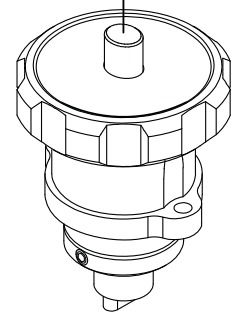
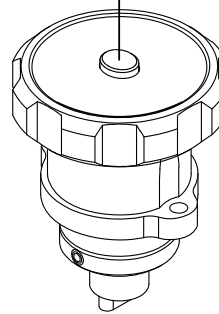
Uses right sleeve, stator and trunnion.
(see exploded view and parts list)



3-1/2 Turns Full Closed to Full Open

Indicator flush
when fully closed

Valve position indicator
raises 1/2" when valve
is fully opened



Aligned with elliptical hole in knob

LEFT SHOWN

Right parts similar with only one timing mark instead of two.

6.0 WARRANTY

Task Force Tips, Inc., 3701 Innovation Way, Valparaiso, Indiana 46383-9327 USA ("TFT") warrants to the original purchaser of its Gated Wye ("equipment"), and to anyone to whom it is transferred, that the equipment shall be free from defects in material and workmanship during the five (5) year period from the date of purchase.

TFT's obligation under this warranty is specifically limited to replacing or repairing the equipment (or its parts) which are shown by TFT's examination to be in a defective condition attributable to TFT. To qualify for this limited warranty, the claimant must return the equipment to TFT, at 3701 Innovation Way, Valparaiso, Indiana 46383-9327 USA, within a reasonable time after discovery of the defect. TFT will examine the equipment. If TFT determines that there is a defect attributable to it, TFT will correct the problem within a reasonable time. If the equipment is covered by this limited warranty, TFT will assume the expenses of repair.

If any defect attributable to TFT under this limited warranty cannot be reasonably cured by repair or replacement, TFT may elect to refund the purchase price of the equipment, less reasonable depreciation, in complete discharge of its obligations under this limited warranty. If TFT makes this election, claimant shall return the equipment to TFT free and clear of any liens and encumbrances.

This is a limited warranty. The original purchaser of the equipment, any person to whom it is transferred, and any person who is an intended or unintended beneficiary of the equipment, shall not be entitled to recover from TFT any consequential or incidental damages for injury to person and/or property resulting from any defective equipment manufactured or assembled by TFT. It is agreed and understood that the price stated for the equipment is in part consideration for limiting TFT's liability. Some states do not allow the exclusion or limitation of incidental or consequential damages, so the above may not apply to you.

TFT shall have no obligation under this limited warranty if the equipment is, or has been, misused or neglected (including failure to provide reasonable maintenance) or if there have been accidents to the equipment or if it has been repaired or altered by someone else.

THIS IS A LIMITED EXPRESS WARRANTY ONLY. TFT EXPRESSLY DISCLAIMS WITH RESPECT TO THE EQUIPMENT ALL IMPLIED WARRANTIES OF MERCHANTABILITY AND ALL IMPLIED WARRANTIES OF FITNESS FOR A PARTICULAR PURPOSE. THERE IS NO WARRANTY OF ANY NATURE MADE BY TFT BEYOND THAT STATED IN THIS DOCUMENT.

This limited warranty gives you specific legal rights, and you may also have other rights which vary from state to state.