

# Less Weight, Less Cost, More Flow . . .



*Typhoon Monitor  
with V.U.M.*

## . . . REALLY !

When combined with the Typhoon manual and remote control monitors, TFT's VUM, Valve Under Monitor, not only reduces overall aerial weight and cost, but dramatically improves monitor flows while integrating a unique discharge manifold.

The package incorporates high-flowing stainless shutoff valves, configurable discharge outlets, and high flowing monitors for the ideal aerial design.

To learn more about how you can integrate these amazing new capabilities into your apparatus, contact your local TFT dealer today.



**TASK FORCE TIPS**  
Made in USA • [www.tft.com](http://www.tft.com)

3701 Innovation Way, Valparaiso, IN 46383-9327 USA  
US & CN 800.348.2686 • 1.219.462.6161 • fax 1.219.464.7155



U.S. & Canada (800) 348 2686

www.tft.com

24 Hour Service Team: (800) 854 6864

TASK FORCE TIPS 3701 INNOVATION WAY, VALPARAISO, IN 46383-9327 MADE IN USA



QR US WITH YOUR CAMERA PHONE

(Quick Response Applications are available from your smart phone company.)

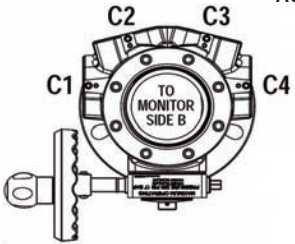
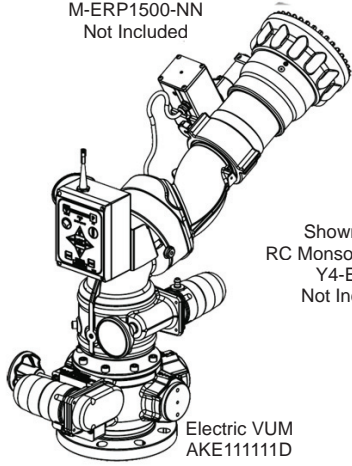
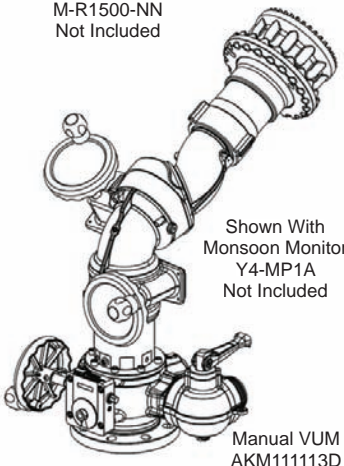
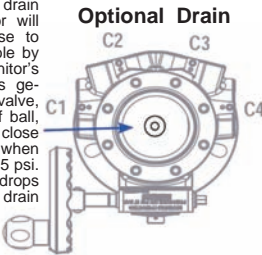


V.U.M. SERIES

Visit [www.tft.com/FE13](http://www.tft.com/FE13) to see a complete video overview of the VUM Valve Under Monitor Package.

## VALVE UNDER MONITOR

The Valve Under Monitor (VUM) is a lightweight, low friction-loss valve and manifold for installation directly beneath monitors on ladders and platforms. The VUM combines the robust valve mechanism from the TFT Ball Intake Valve with a 4" ANSI 150 inlet and up to four 2.5" outlets. The 2.5" outlets are available with integrated valves, male hose threads or female pipe threads. When paired with a TFT monitor, the monitor flange is omitted for additional weight savings and ease of maintenance. Electric remote controlled (RC) models may be controlled from either a dedicated panel mount control or from TFT RC Monitor Operator Stations.

 <p><b>AUXILIARY IRT SIGNATION</b></p> <p>Handwheel is typically configured to the left side of the valve, but is field adjustable for right hand configuration.</p>	<p>Shown With Masterstream 1500ER w/Plug M-ERP1500-NN Not Included</p>  <p>Electric VUM AKE11111D</p> <p>Shown With RC Monsoon Monitor Y4-EP1A Not Included</p>	<p>Shown With Masterstream 1500 M-R1500-NN Not Included</p>  <p>Manual VUM AKM111113D</p> <p>Shown With Monsoon Monitor Y4-MP1A Not Included</p>
<p>If the VUM is equipped with an automatic drain valve, the monitor will drain following use to the extent allowable by gravity, the monitor's orientation and its geometry. The drain valve, located in the half ball, is designed to close automatically when pressure exceeds 5 psi. When pressure drops below 5 psi, the drain valve will open.</p>  <p><b>Optional Drain</b></p>		

