

# Product Bulletin

## Electric Remote Controlled Nozzle Actuator

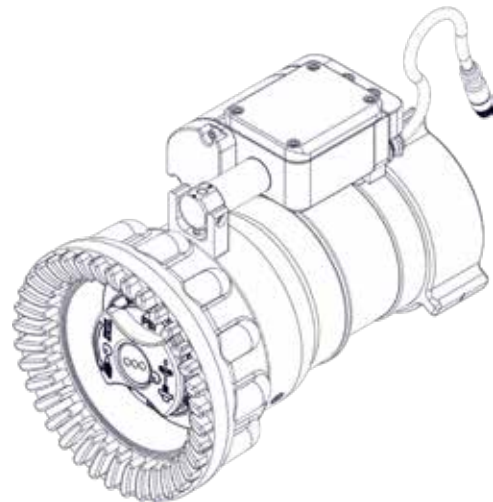
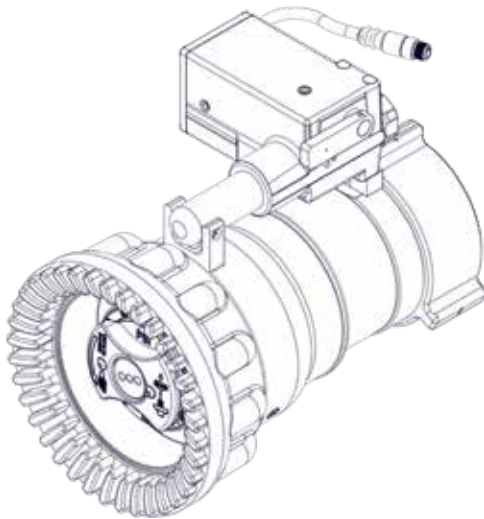
*A Design Change Has Been Made To The Electric Remote Controlled Nozzle Actuator.  
No change to nozzle model numbers.*



**Previous**



**Current**



**NOTE: Smart Stream Feature Requires Motor Board Y5100 v2.2.0 Firmware or Later.**

FEATURES	BENEFITS
Retrofit	Mount to current and previously designed nozzles
Improved Accuracy	Increased nozzle movement precision More precise mounting
Improved Power & Durability	Increased output force Permanently lubricated and maintenance free
Streamlined Design	Reduces overall clearance