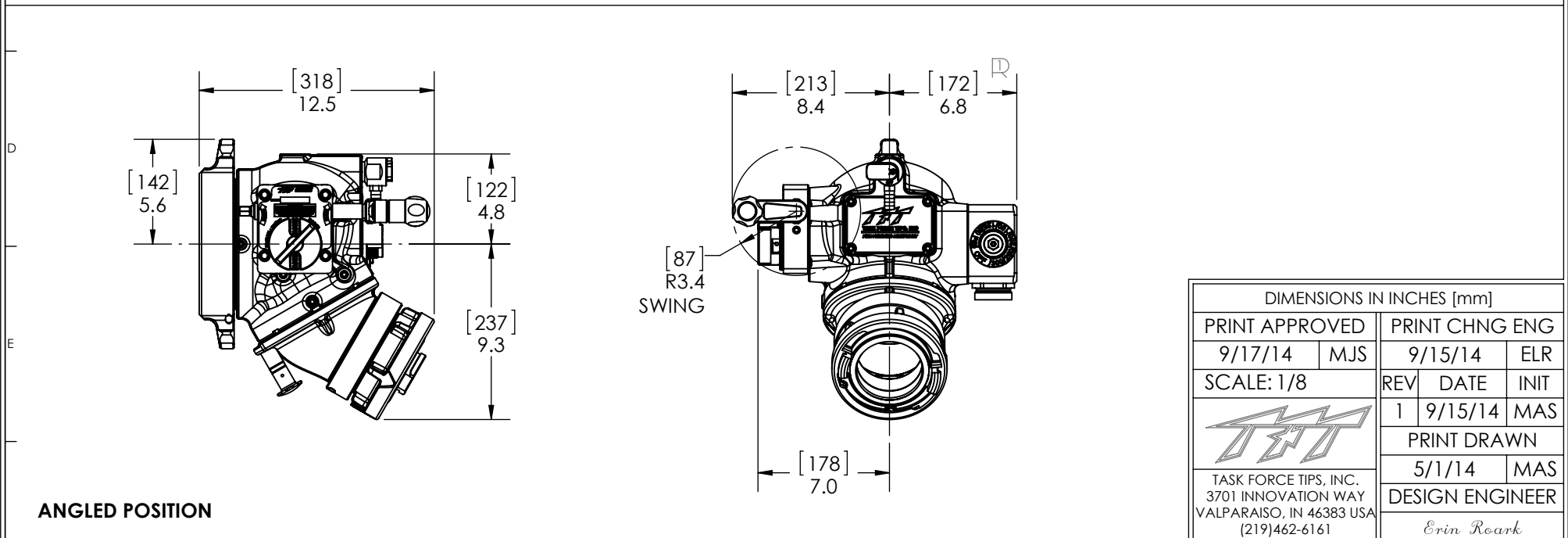



**DOWN POSITION**



**ANGLED POSITION**

DIMENSIONS IN INCHES [mm]			
PRINT APPROVED		PRINT CHNG ENG	
9/17/14	MJS	9/15/14	ELR
SCALE: 1/8		REV	DATE INIT
		1	9/15/14 MAS
		PRINT DRAWN	
TASK FORCE TIPS, INC. 3701 INNOVATION WAY VALPARAISO, IN 46383 USA (219)462-6161		5/1/14 MAS	
		DESIGN ENGINEER	
		Erin Roark	

ITEM: AXD1SP-NX-F

SHEET  
1 of 1

DESCR: JBIV-LP 4.0"STORZ RIGID X 6.0"F

EXTRA DESCR: ALUMINUM / FRONT CRANK / PRV