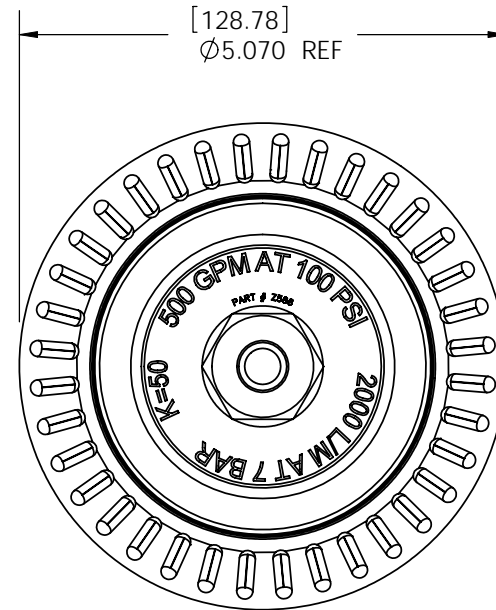
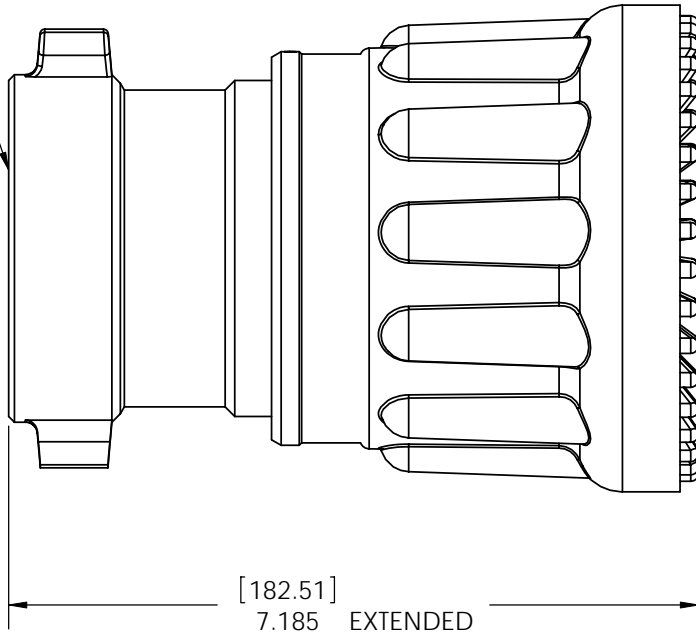



2.5"-7.5"NH
FEMALE THREAD



DIMENSIONS IN INCHES [mm]

PRINT APPROVED		PRINT CHNG ENG	
8/25/10	TLH	8/24/10	MJS
SCALE: HALF		REV	DATE INIT
		6	8/24/10 CPD
		PRINT DRAWN	
TASK FORCE TIPS, INC. 2800 E. EVANS AVE. VALPARAISO, IN 46383 (219)462-6161		7/29/08 MAS	
		DESIGN ENGINEER	
		<i>Robert W. Steingass</i>	

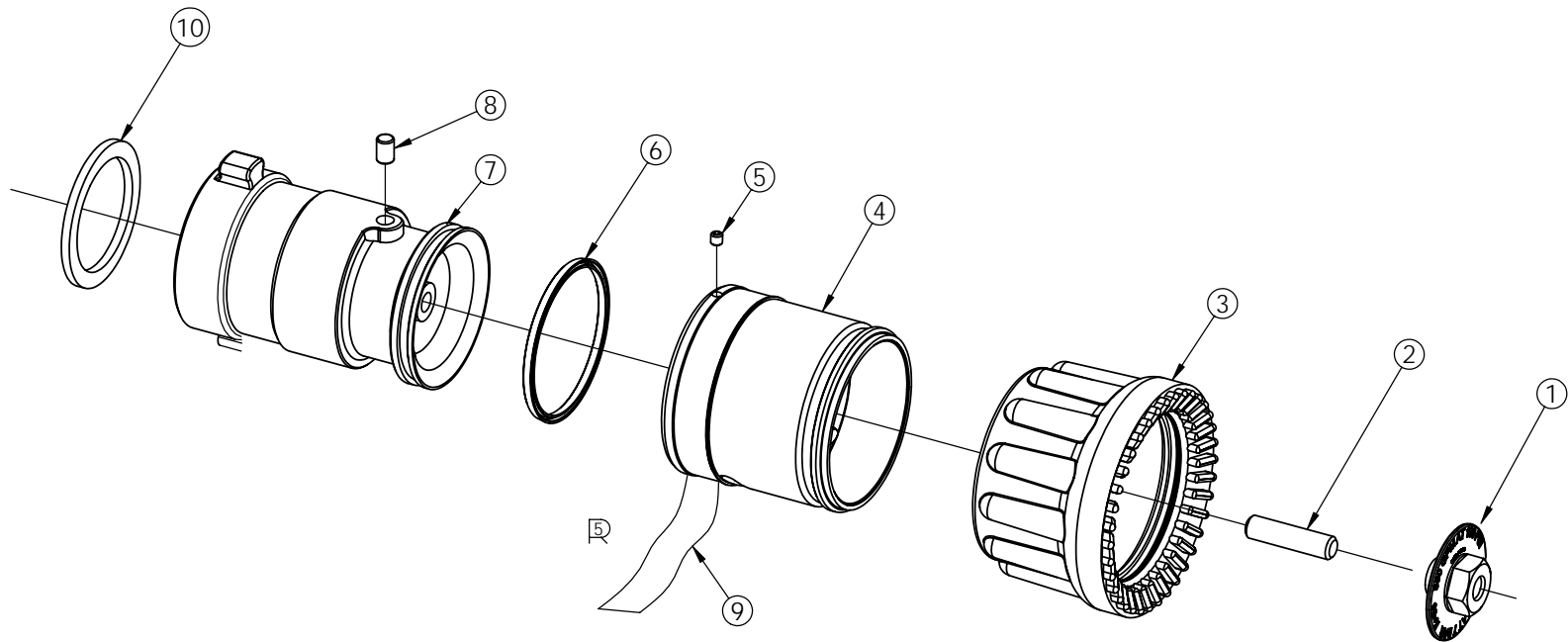
ITEM: ZN12A

SHEET
1 of 3

DESCR: ZN NOZZLE 2.5"-7.5 NH

EXTRA DESCR: 500 GPM @ 100 PSI - ALUMINUM

TFT_APRLIST.SLDDRT



PARTS LIST

Ref	Description	Qty	Order #
1	BAFFLE 350 GPM	1	Z565
	BAFFLE 500 GPM	1	Z566
	BAFFLE 750 GPM	1	Z567
2	1/2-13 X 2 STUD - FULL THREAD	1	VT50-13SD2.0
3	BUMPER	1	Z700
4	SHAPER	1	Z505
5	1/4-28 X 1/4 SOCKET SET SCREW	1	VT25-28SS250
6	SHAPER SEAL 3.255 ID - DEFLASHED	1	Z330
7	IND. NOZ. BODY ALUM 2.5"NH	1	Z605ANJ
8	CAM PIN	1	Z660
9	NAME LABEL - MAX-LITE NOZZLE	1	ZL150
10	GASKET - 2.5" HOSE COUPLING	1	V3190

DIMENSIONS IN INCHES [mm]

NOTE: BREAK SHARP CORNERS .01" MIN.

TOLERANCES: UNLESS SPECIFIED OTHERWISE

X.XXXX ±.005	FRACT ±1/64
X.XXX ±.005	ANGLE ± 1°
X.XX ±.01	∅ = NOT TO SCALE
X.X ±.1	

PRINT APPROVED		PRINT CHNG ENG	
8/25/10	TLH	8/24/10	MJS
SCALE: HALF		REV	DATE
		6	8/24/10
		INIT	
		CPD	



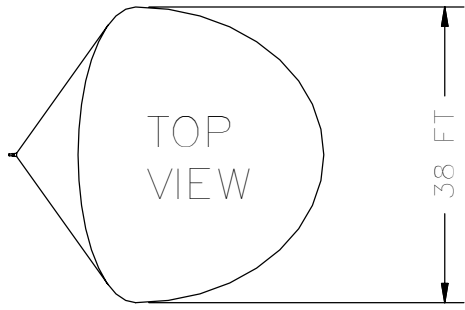
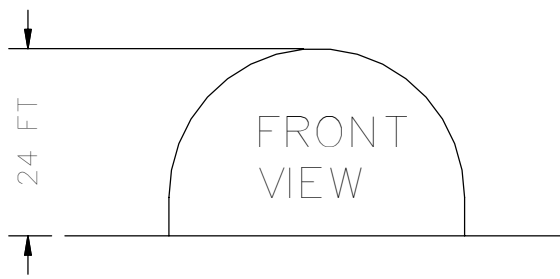
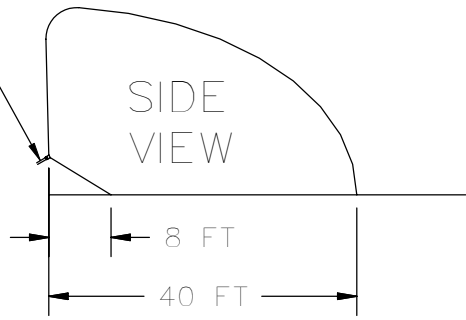
TASK FORCE TIPS, INC.
2800 E. EVANS AVE.
VALPARAISO, IN 46383
(219)462-6161

PRINT DRAWN	
7/29/08	MAS
DESIGN ENGINEER	
<i>Robert W. Steingass</i>	

TFT_MACHSLD.DRT

ITEM: ZN12A	SHEET 2 of 3	DESCR: ZN NOZZLE 2.5"-7.5 NH
ITEM: ZN13A	SHEET 2 of 3	DESCR: ZN NOZZLE 2.5"-7.5 NH FEMALE
ITEM: ZN11A	SHEET 2 of 3	DESCR: ZN NOZZLE 2.5"-7.5 NH FEMALE

TFT INDUSTRIAL NOZZLE
 500 GPM AT 100 PSI
 5 FT ABOVE GROUND
 30° ELEVATION WIDE FOG



DIMENSIONS IN INCHES [mm]			
NOTE: BREAK SHARP CORNERS .01" MIN.			
TOLERANCES: UNLESS SPECIFIED OTHERWISE			
X.XXXX ±.005	FRACT ±1/64		
X.XXX ±.005	ANGLE ± 1°		
X.XX ±.01	X = NOT TO SCALE		
X.X ±.1			
PRINT APPROVED		PRINT CHNG ENG	
8/25/10	TLH	8/24/10	MJS
SCALE: HALF		REV	DATE INIT
		6	8/24/10 CPD
		PRINT DRAWN	
		7/29/08	MAS
		DESIGN ENGINEER	
		<i>Robert W. Steingass</i>	

ITEM: ZN12A	SHEET 3 of 3	DESCR: ZN NOZZLE 2.5"-7.5 NH
ITEM: ZN13A	SHEET 3 of 3	DESCR: ZN NOZZLE 2.5"-7.5 NH FEMALE
ITEM: ZN11A	SHEET 3 of 3	DESCR: ZN NOZZLE 2.5"-7.5 NH FEMALE

