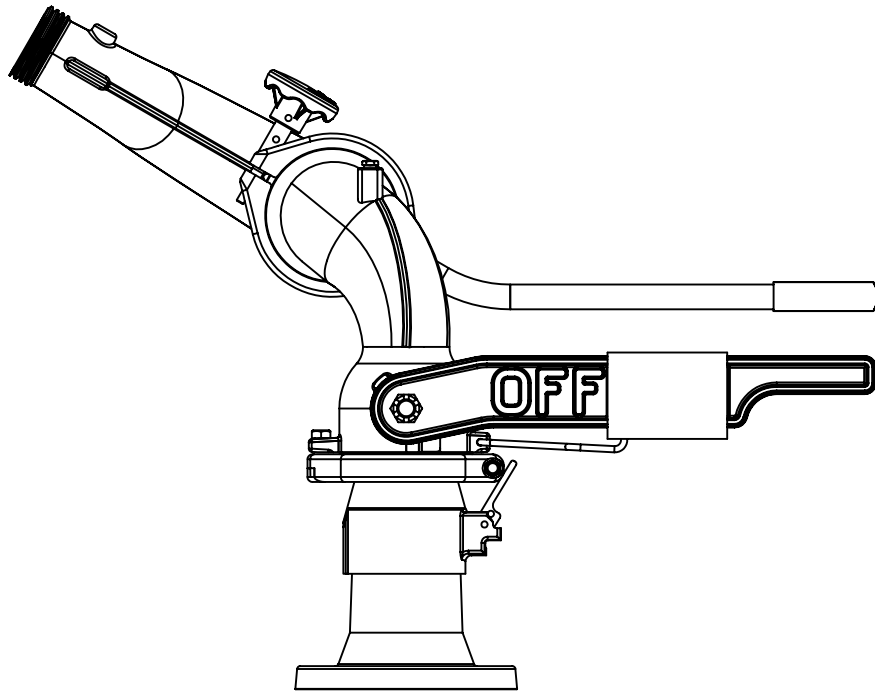
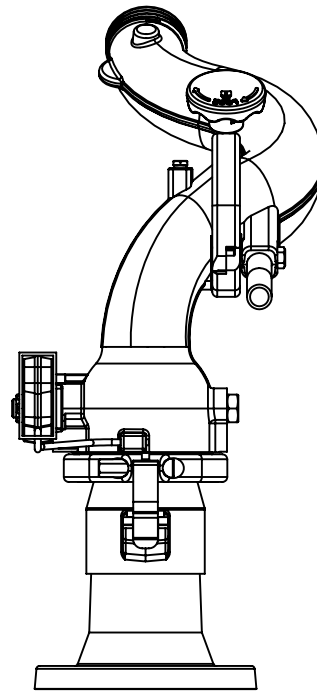


TOP VIEW




FRONT VIEW



SIDE VIEW

TASK FORCE TIPS, INC.
 2800 E. EVANS AVE.
 VALPARAISO, IN 46383
 219-462-6161



REV	DATE	INITIALS
1	4/25/00	BMH
2	11/14/00	CPD
3	1/9/06	ELS
4	1/11/10	CPD

SCALE: 1:8
 PRINT DRAWN 3/23/00 CPD
 PRINT APPROVED 1/11/10 JZH
 DESIGN ENGINEER Robert W. Steingass

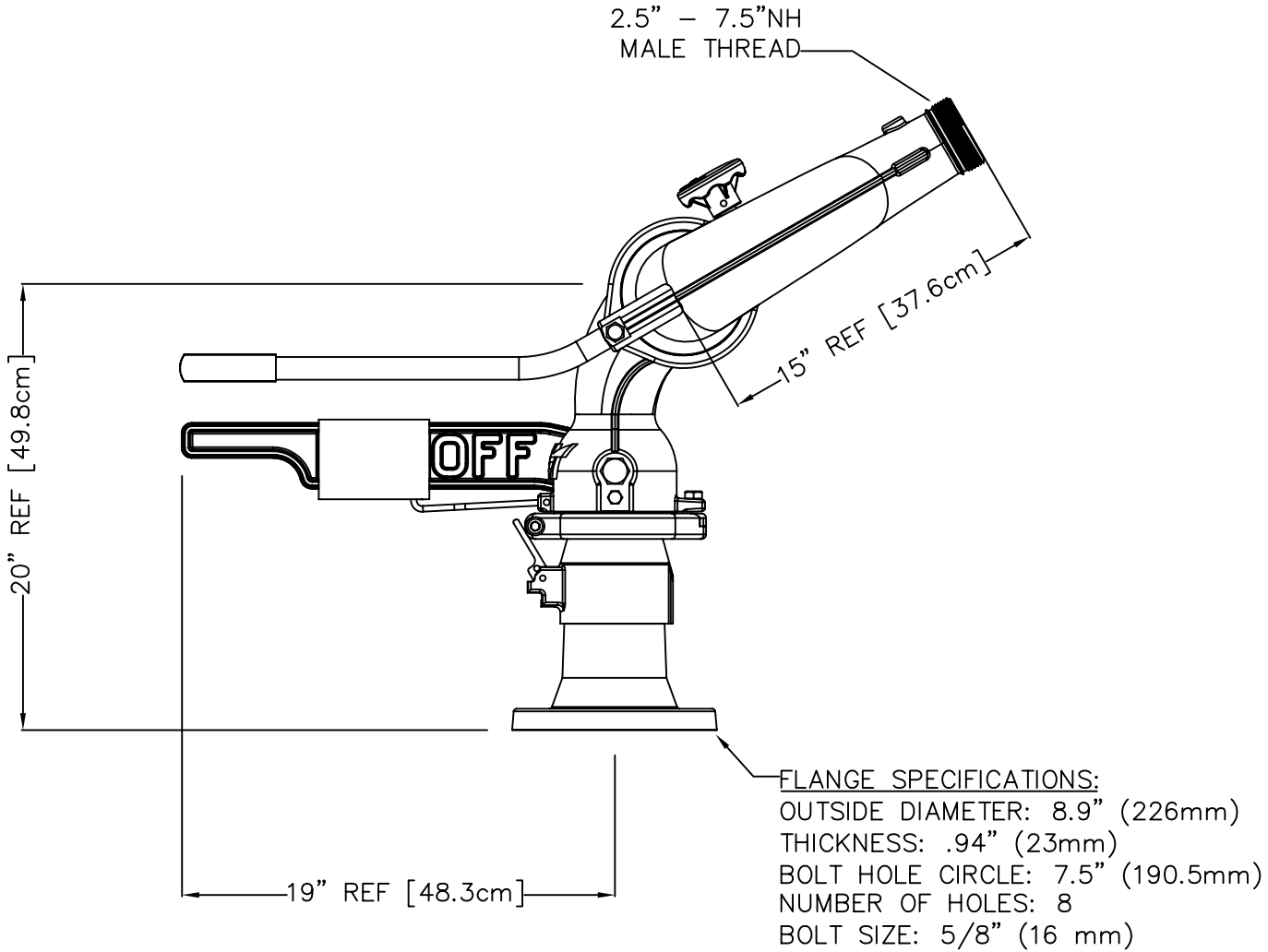
DIMENSIONS IN 'INCHES' UNLESS SPECIFIED OTHERWISE
 FILE: Z\FIN & SUB\Z1121B

PART NUMBER: Z1121A

SHEET 1 OF 2


DESCRIPTION: PROTECTOR-RED-VALVE-4"ANSI 150

EXTRA DESC: 2.5"-7.5 OUTLET - ALUMINUM



WEIGHT: 35.2 lb (15.7 kg)

TASK FORCE TIPS, INC.
 2800 E. EVANS AVE.
 VALPARAISO, IN 46383
 219-462-6161



REV	DATE	INITIALS
1	4/25/00	BMH
2	11/14/00	CPD
3	1/9/06	ELS
4	1/11/10	CPD

SCALE: 1:8
 PRINT DRAWN 3/23/00 CPD
 PRINT APPROVED 1/11/10 JZH
 DESIGN ENGINEER Robert W. Steingass

DIMENSIONS IN 'INCHES' UNLESS SPECIFIED OTHERWISE
 FILE: Z\FIN & SUB\Z1121B

PART NUMBER: Z1121A

DESCRIPTION: PROTECTOR-RED-VALVE-4"ANSI 150

EXTRA DESC: 2.5"-7.5 OUTLET - ALUMINUM

SHEET
2 OF 2