

SHOWN WITH LEGS OPEN

DIMENSIONS IN INCHES [mm]			
PRINT APPROVED		PRINT CHNG ENG	
12/23/09	LRS	12/21/09	CPD
SCALE: 1/8		REV	DATE
		1	12/21/09
		INIT	
		CPD	
		PRINT DRAWN	
		12/21/09	
		CPD	
		DESIGN ENGINEER	
		<i>Robert Steingass</i>	



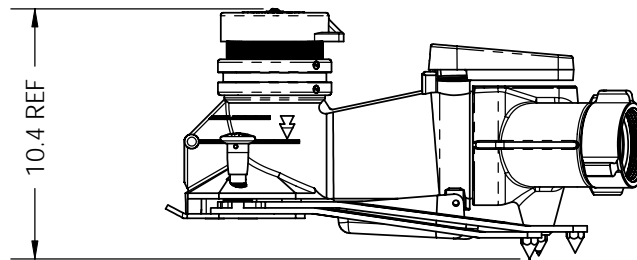
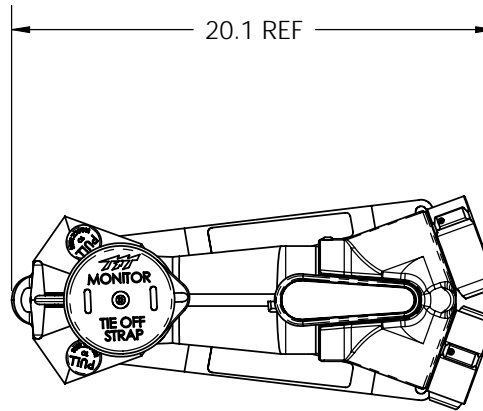
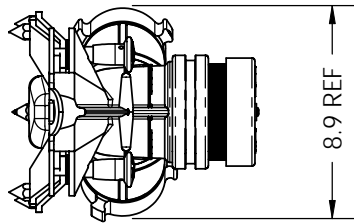
TASK FORCE TIPS, INC.
 3701 INNOVATION WAY
 VALPARAISO, IN 46383 USA
 (219)462-6161

ITEM: XFH-2NJ

SHEET
1 of 2


DESCR: SAFE-TAK BASE - 2.5" FEMALE INLETS

EXTRA DESCR:



SHOWN WITH LEGS CLOSED

DIMENSIONS IN INCHES [mm]

PRINT APPROVED		PRINT CHNG ENG	
12/23/09	LRS	12/21/09	CPD
SCALE: 1/8		REV	DATE INIT
		1	12/21/09 CPD
		PRINT DRAWN	
TASK FORCE TIPS, INC. 3701 INNOVATION WAY VALPARAISO, IN 46383 USA (219)462-6161		12/21/09 CPD	
		DESIGN ENGINEER	
		<i>Robert Steingass</i>	

ITEM: XFH-2NJ

SHEET
2 of 2

DESCR: SAFE-TAK BASE - 2.5" FEMALE INLETS

EXTRA DESCR:

TFT_APRLIST.SLDDRT