

2017

what's new...



Quality That Goes The Distance



8000 gpm Industrial Monitor



Compact Wildland Attack

TFT's Storm Monitor envisioned on this brush truck using virtual reality



Storm RC is less than 13" tall (without nozzle)

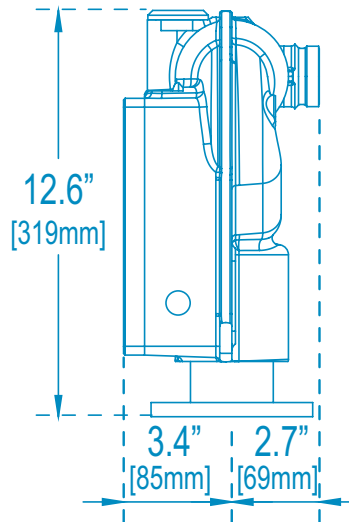


Our Most Compact RC Monitor

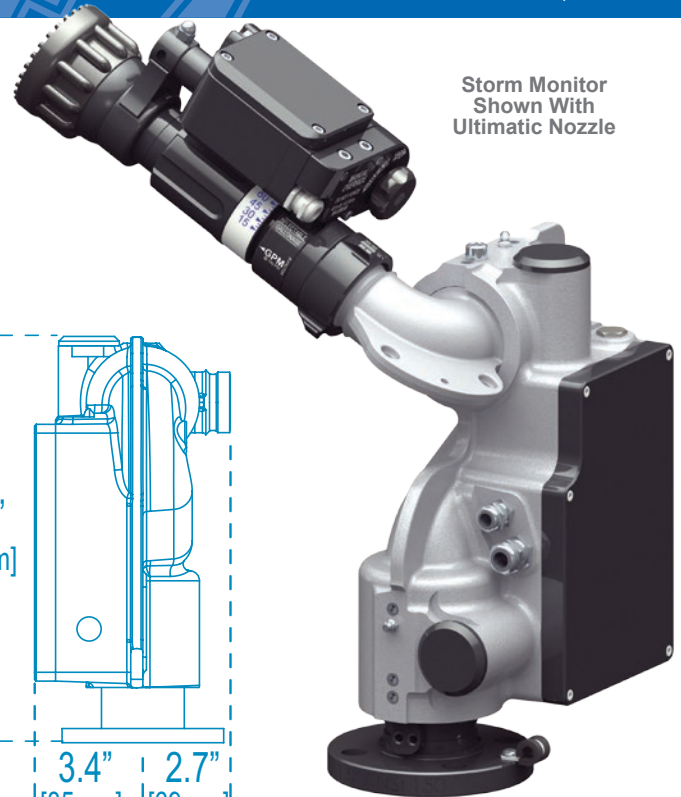
STORM RC

Maximum Stream Performance

The Storm remotely controlled monitor is extremely compact, yet it has a large 1-½" waterway, capable of flowing up to 200 gpm. At less than 13" tall (without nozzle) the Storm is an ideal forestry bumper turret. The monitor is equipped with controls for monitor horizontal rotation, elevation, nozzle pattern, programmable PARK and Oscillate. The hard coat anodized aluminum alloy and powder coated monitor includes a waterproof factory installed plug on power wire for easy removal or re-installation and the electric drives and control box are waterproof.



Storm Monitor
Shown With
Ultimatic Nozzle

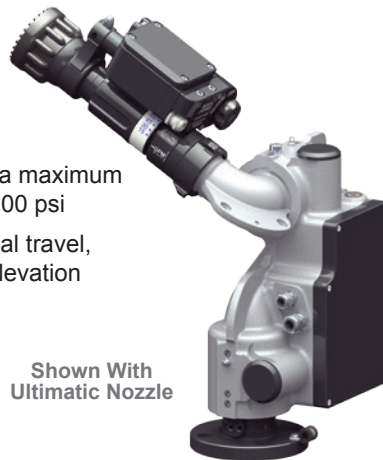


How These Monitor Series Stack Up

Storm RC

- Rated to 200 gpm and a maximum operating pressure of 200 psi
- 270° horizontal rotational travel, with field changeable elevation and rotational stops
- 12.6" in height

Shown With
Ultimatic Nozzle



STORM RC

Tornado LT

- Rated to 500 gpm and a maximum operating pressure of 200 psi
- 370° horizontal rotational travel, user installed travel limit stops
- 16.7" in height

Shown With
Ultimatic Nozzle



TORNADO LT

Tornado Lite: Leaner & Meaner

TORNADO LT™

Tornado RC LT Monitor

The Tornado RC LT is very compact, yet it has a large 2-1/4" waterway, capable of flowing up to 500 gpm, making it the ideal bumper turret. The monitor has waterproof factory installed plug on power wire for easy removal or re-installation. Knobs for manual override are provided on the horizontal rotation and elevation drive. The main waterway is made from hardcoat anodized ANSI 356-T6 aluminum and is silver powder coat finished inside and out. The electric drives and enclosure box are all waterproof.



Tornado LT Monitor
Shown With
Ultimatic Nozzle



Shown With
Max-Force Nozzle

Tornado RC

- Rated to 500 gpm and a maximum operating pressure of 200 psi
- 370° horizontal rotational travel, user installed travel limit stops
- 17.8" in height

TORNADO RC

what's new...



TSUNAMI RC

- Only 27 psi (1.9 bar) friction loss at 8000 gpm (30000 l/min)
- Elevation range is 90° above to 10° below horizontal
- Truck or Stationary Mount
- Wireless Remote Control

BETTER STREAM and REACH

Contact Customer Service
for Tsunami Availability.

what's new...



8000 gpm Plus Industry Leading Reach and Performance

TSUNAMI RC

Tsunami RC Monitor

The Tsunami monitor is capable of flowing 8000 gpm (30000 l/min). Waterway with turning vane has only 27 psi (1.9 bar) friction loss at 8000 gpm (30000 l/min). Elevation range is 90° above horizontal to 10° below. Field changeable elevation travel stops. Horizontal travel is 320° (160° either side of a center position). Field changeable horizontal travel stops. Dual handwheels are provided for horizontal rotation and elevation drive. Main waterway made from hardcoat anodized ANSI 356-T6 aluminum. Silver powder coat finish inside and out.

Tsunami RC Stacked Tips

Delivering flows up to 8000 gpm, this unique set of smoothbore stacked tips is the ideal choice when combined with the Tsunami for maximum stream reach. Using a computer aided optimized flow path design and incorporating over 40" stream straightening, the four tip choices deliver flows from 3250 gpm – 7000 gpm at 80 psi pressure. Tip sizes include 3-½", 4", 4-½", and 5-½".



VORTEX™, a Smoothbore with a TWIST



With a twist the VORTEX changes from straight stream to a uniformly dispersed pattern

VORTEX



VORTEX TIP ONLY



VORTEX TIP with VALVE



VORTEX TIP, VALVE and PISTOL GRIP



Add your preferred diameter smoothbore tip to any VORTEX nozzle

Maximum Stream, Master Controls

Master Stream 1250 RC Nozzles

TFT's Master Stream 1250 RC is the master stream nozzle of choice when it comes to maximum stream performance and control. The integrated operator pressure control unit on the end of the nozzle allows the operator complete flow control – whether the need is for higher velocity, improved reach and penetration, or low pressure velocity to allow for maximum flow.



Operator Chosen Operational Pressure Control



Billet Enclosure Keeps The Elements Out

The electronics enclosure for TFT's RC monitors has been redesigned so that this critical enclosure is now machined from solid aluminum billet. This new feature allows for the use of our standard O-ring sealing designs, which provides improved durability and a water tight configuration to help eliminate moisture impregnation in harsh environments. Retrofit-able to all TFT monitors this new box, and even the relocation of the radio antenna are major enhancements.



Streamlined Actuator Delivers Better Feedback

The redesigned remote control nozzle actuator reduces and streamlines the overall size of the unit and provides greatly increased resolution of the position feedback electronics. The new actuators can also be easily retrofitted to existing TFT RC nozzles.

Prevent Unintentional Water Hammer

Slow Close Valve Available At No Added Cost

The unique slow close mechanism prevents unintentional water hammer during valve closure and provides both visual valve position and rugged handwheels for positive operation.

This new technology can be added at no additional cost to any of TFT's 2-1/2" 500 gpm valved waterways.



New Slow Close Valve Option

Original Quarter Turn Valve



Respond Faster To A Changing Fire Ground

Jumbo Water Thief Offers Multiple LDH Options

This unique water supply appliance maximizes flexibility and performance in changing fireground conditions while preventing unintentional water hammer. The compact size, coupled with an integrated slow close high flow valve and quick reacting pressure relief valve are ideal for large diameter hose operations, and offer two high flow, low loss 2-1/2" valved discharge ports.

Available GPMs: 2000 - 1500 - 1250 - 1000 - 750 - 500 - 350 - 250

Make Foam At Your Choice Of GPM

Master Foam Nozzles

The Task Force Tips' Master Foam nozzles are simple and rugged self-educing foam nozzles with superior stream quality and reach. This series now offers a full range of flows to meet any operational need.

