
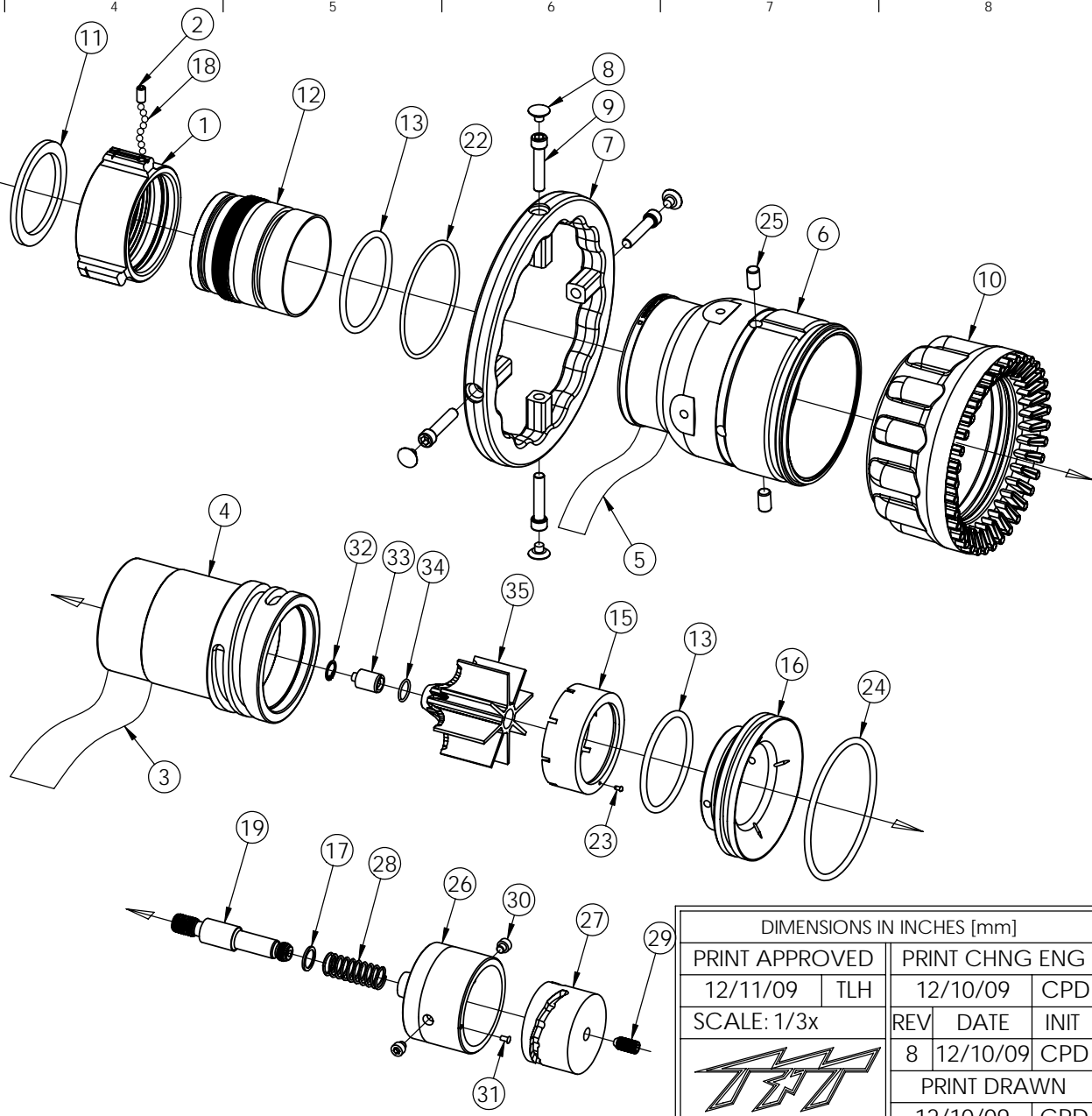


DIMENSIONS IN INCHES [mm]			
PRINT APPROVED		PRINT CHNG ENG	
12/11/09	TLH	12/10/09	CPD
SCALE: 1/3x		REV	DATE INIT
 TASK FORCE TIPS, INC. 3701 INNOVATION WAY VALPARAISO, IN 46383 USA (219)462-6161		8	12/10/09 CPD
		PRINT DRAWN	
		12/10/09	CPD
		DESIGN ENGINEER	
		<i>Robert Steingass</i>	


ITEM: M-RS1000-NJ      SHEET 1 of 2      DESCR: MASTER STREAM 1000 W/HALO SELECT 2.5"

EXTRA DESCR: 250-350-500-750-1000 GPM AT 100 PSI

NO.	DESCRIPTION	QTY	PART #
1	COUPLING 2.5"NH	1	M307N
2	1/4-28 X 1/2 SET SCREW	1	VT25-28SS500
3	BARREL LABEL	1	M740
4	BARREL	1	M205
5	NAME LABEL	1	M750
6	SHAPER	1	M216
7	HALO RING	1	M230
8	HALO CAP	4	M231
9	5/16-18 X 1-1/2 SOCKET HEAD SCREW	4	VT31-18SH1.5
10	MASTER BUMPER	1	M700
11	GASKET - 2.5" HOSE COUPLING	1	V3190
12	BASE RING	1	M206
13	O-RING-335	2	VO-335
15	SLOTTED RING	1	M245
16	BARREL CONE	1	M200
17	WASHER	1	C034
18	3/16" BALL	48	V2120
19	SHAFT	1	C035
22	WEAR STRIP	1	M510
23	3/32 X 3/16 DRIVE SCREW	1	VT02-00DS187
24	O-RING-345	1	VO-345
25	CAM PINS	2	M260
26	SELECT GAL BAFFLE	1	C027
27	SELECT GAL CAM US	1	C028
28	SELECTABLE FLOW SPRING	1	C031
29	I/O SCREW	1	C033
30	3/8-24 X 3/8 DOG POINT	2	H515
31	6 X 1/4 DRIVE SCREW	1	VT06E00DS250
32	SNAP RING	1	V2010
33	CONTROL NUT PISTON	1	C105
34	O-RING-015	1	VO-015
35	FINS	1	M250



DIMENSIONS IN INCHES [mm]

PRINT APPROVED		PRINT CHNG ENG	
12/11/09	TLH	12/10/09	CPD
SCALE: 1/3x		REV	DATE
		8	12/10/09
		PRINT DRAWN	
		12/10/09	
TASK FORCE TIPS, INC. 3701 INNOVATION WAY VALPARAISO, IN 46383 USA (219)462-6161		DESIGN ENGINEER <i>Robert Steingass</i>	