

TASK FORCE TIPS, INC.
 2800 E. EVANS AVE.
 VALPARAISO, IN 46383
 219-462-6161



REV	DATE	INITIALS
5	5/5/04	CPD
6	1/9/08	CPD
7	12/10/09	CPD
8	1/5/10	CPD
PRINT APPROVED		DESIGN ENGINEER
1/6/10	TJH	Robert W. Steingass

SCALE: 1/2x
 PRINT DRAWN
 8/11/94 MBJ
 PRINT APPROVED
 1/6/10 TJH

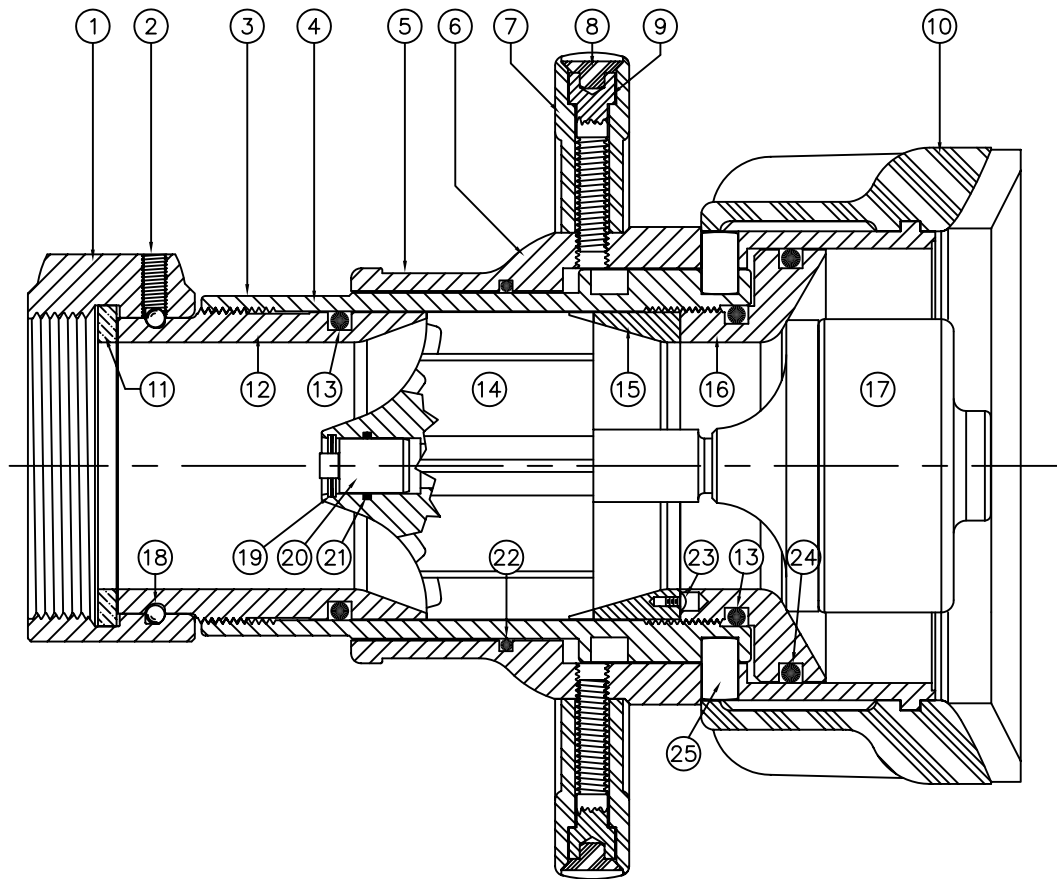
DIMENSIONS IN 'INCHES' UNLESS SPECIFIED OTHERWISE
 FILE:

PART NUMBER: M-R1000-NJ

SHEET
 1 OF 3

DESCRIPTION: MASTER STREAM 1000 W/ HALO AUTO 2.5"


EXTRA DESC: 150-1000 GPM @ 100 PSI



CROSS SECTION VIEW

PART NUMBER: M-I1000-NJ	SHEET 2 OF 3
PART NUMBER: MP-I1250S-BJ	SHEET 2 OF 3
PART NUMBER: MP-R1250S-BJ	SHEET 2 OF 3
PART NUMBER: M-R1250S-NJ	SHEET 2 OF 3
PART NUMBER: M-R1000-NJ	SHEET 2 OF 3
DESCRIPTION: MASTER AUTOMATIC 2.5" - CUTAWAY	
EXTRA DESC:	

TASK FORCE TIPS, INC.
 2800 E. EVANS AVE.
 VALPARAISO, IN 46383
 219-462-6161



REV	DATE	INITIALS
5	5/5/04	CPD
6	1/9/08	CPD
7	12/10/09	CPD
8	1/5/10	CPD

SCALE: 1/2x	
PRINT DRAWN	8/18/97 MBJ
PRINT APPROVED	1/6/10 JZH
DESIGN ENGINEER	Robert W. Steingass

DIMENSIONS IN 'INCHES' UNLESS SPECIFIED OTHERWISE
 FILE:

MASTER STREAM 1000 & 1250S

AUTOMATIC NOZZLE

MODELS M-R1000-NJ, M-I1000-NJ, MP-R1250S-BJ, MP-I1250S-BJ, M-R1250S-NJ

PARTS LISTING – SHEET 3 OF 3

Ref. #	Part Number	Qty.	Description
1	M307N M305B	1 1	2.5 NH Rockerlug Coupling 2.5 BSP Rockerlug Coupling
2	VT25-28SS500	1	1/4-28 x 1/2 Socket Set Screw
3	M740	1	Barrel Label
4	M205	1	Barrel
5	M746 M746-F	1 1	TFT Name Label: Master Stream 1000 Auto Groupe Leader/TFT: Name Label
6	M216	1	Shaper
7*	M230	1	Halo Ring
8*	M231	4	Halo Cap
9*	VT31-18SH1.5	4	5/16-18 x 1/2 Socket Head Cap Screw
10	M700	1	Master Bumper
11	V3190 V3185	1 1	2.5" Coupling Gasket 2.5" BSP Coupling Gasket
12	M206	1	Base Ring
13	VO-335	1	O-Ring 335
14	M250	1	Fins - Hardcoated
15	M245	1	Slotted Ring
16	M200	1	Barrel Cone
17	C810	1	1000 Conversion Front End
18	V2120	48	3/16 Stainless Steel Ball
19	V2010	1	N5000-56H Snap Ring CTF
20	C105	1	Control Nut Piston
21	VO-015	1	O-Ring 015
22	M510	1	Wear Strip - Standard
23	VT02-00DS187	1	3/32 x 3/16 Drive Screw
24	VO-345	1	O-Ring 345
25	M260	2	Cam Pins

***NOTE:**

MODELS M-I1000-NJ, MP-I1250S-BJ, OMIT DESIGNATED PARTS
AND REPLACE WITH THE FOLLOWING:

VM4160	4	Rubber Button Bumper
--------	---	----------------------