


TASK FORCE TIPS, INC.
 2800 E. EVANS AVE.
 VALPARAISO, IN 46383
 219-462-6161



REV	DATE	INITIALS

SCALE: 1/2x
 PRINT DRAWN
 5/12/10 CPD
 PRINT APPROVED
 5/19/10 JZH
 Robert W. Steingass
 DESIGN ENGINEER

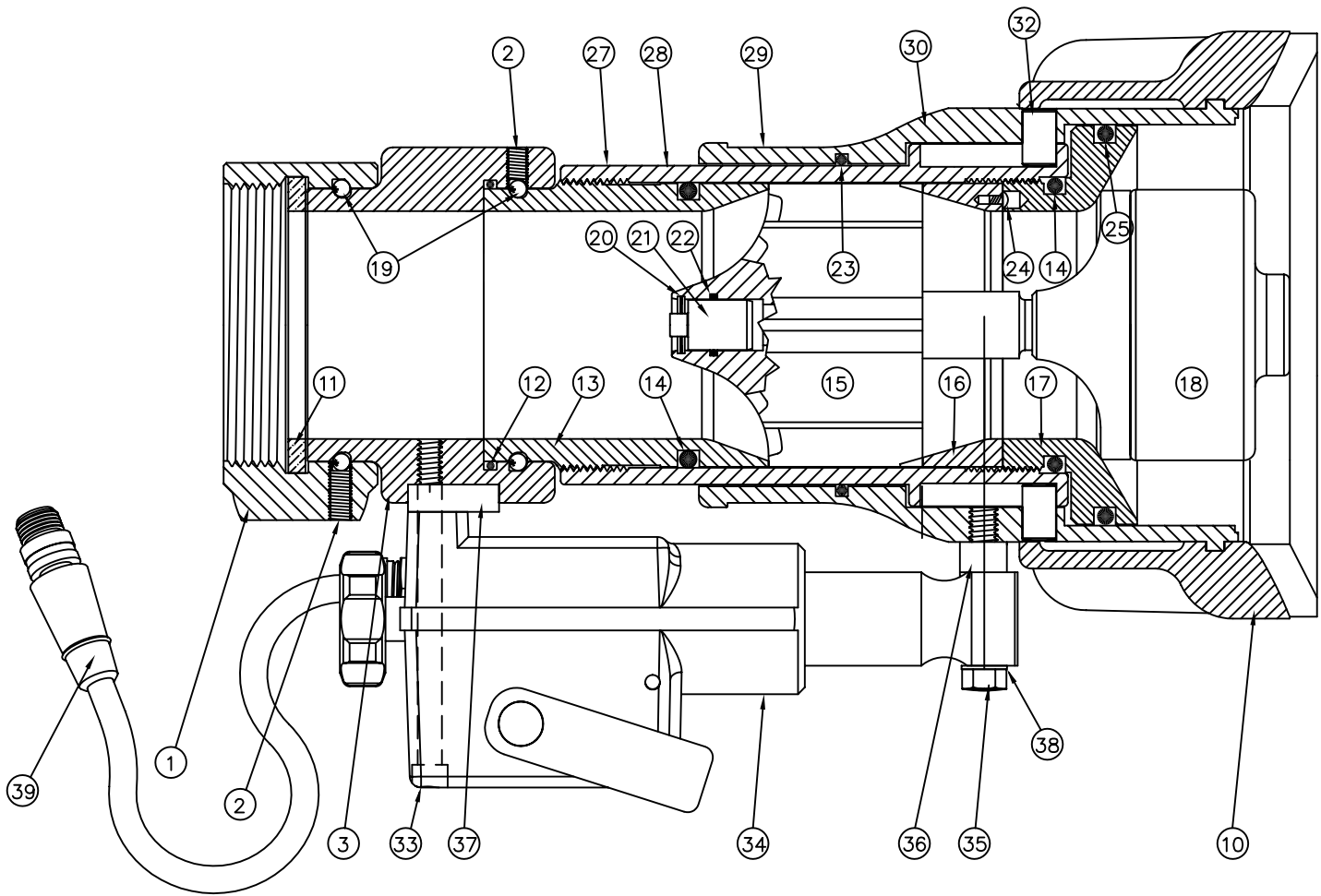
DIMENSIONS IN 'INCHES' UNLESS SPECIFIED OTHERWISE
 FILE:

PART NUMBER: M-ERP1250SNJ

DESCRIPTION: MASTER STREAM 1250 ER W/PLUG 2.5"


EXTRA DESC: 12-24 VDC ACTUATOR 150-1250 GPM @ 100PSI

SHEET
1 OF 3



CROSS SECTION VIEW

TASK FORCE TIPS, INC.
 2800 E. EVANS AVE.
 VALPARAISO, IN 46383
 219-462-6161



REV	DATE	INITIALS

SCALE: 1/2x
 PRINT DRAWN
 5/12/10 CPD
 PRINT APPROVED
 5/19/10 JZH
 Robert W. Steingass
 DESIGN ENGINEER

DIMENSIONS IN 'INCHES' UNLESS SPECIFIED OTHERWISE
 FILE:

PART NUMBER: M-ERP1250SNJ

DESCRIPTION: MASTER STREAM 1250 ER W/PLUG 2.5"

EXTRA DESC: 12-24 VDC ACTUATOR 150-1250 GPM @ 100PSI

SHEET
2 OF 3

MASTER STREAM 1250S

AUTOMATIC ELECTRIC REMOTE NOZZLE

MODEL M-ERP1250SNJ

PARTS LISTING - SHEET 3 OF 3

Ref. #	Part Number	Qty.	Description
1*	M307N	1	2.5 NH Rockerlug Coupling
2	VT25-28SS500	1	1/4-28 x 1/2 Socket Set Screw
3	M190	1	Ball Groove Adapter
10	M700	1	Master Bumper
11*	V3190	1	2.5" Coupling Gasket
	V3185	1	2.5" BSP Coupling Gasket
12	VO-151	1	O-Ring 151
13	M206	1	Base Ring
14	VO-335	1	O-Ring 335
15	C910	1	Master Fin Assembly
16	M245	1	Slotted Ring
17	M200	1	Barrel Cone
18**	C810	1	1000 Conversion Front End
19	V2120	48	3/16 Stainless Steel Ball
20	V2010	1	N5000-56H Snap Ring CTF
21	C105	1	Control Nut Piston
22	VO-015	1	O-Ring 015
23	M510	1	Wear Strip - Standard
24	VT02-00DS187	1	3/32 x 3/16 Drive Screw
25	VO-345	1	O-Ring 345
27	M740	1	Barrel Label
28	M203	1	Linear Barrel
29	M745	1	TFT Name Label
	M745-F	1	Groupe Leader TFT Name Label
30	M101	1	ER Shaper
32	M260	2	Cam Pins
33	VT25-20SH3.2	2	1/4-20 x 3 1/4 Socket Head Cap Screw
34	M935	1	Complete Master Actuator Assembly
35	VT31-18HX1.7	1	5/16-18 x 1 3/4 Hex Bolt
36	M056	1	Front Master Spacer
37	M057	1	Rear Master Spacer
38	VW500X313-40	1	Washer 1/2"OD 5/16"ID .040"Thick
39	Y5285	1	Cable - 2 Pole Male In-Line Plug

*NOTE: OTHER COUPLINGS AVAILABLE, SPECIFY SIZE AND THREAD DESIRED

**NOTE: CONSULT FACTORY FOR OSHKOSH PRESSURE CONTROL UNIT COMPONENTS

CIMNET_DATA\M-M-ERP1250SNJ\M-ERP1250SNJ.DOC 5/12/10 CPD REVISION #: 0

TO BE USED WITH: SHEET 2 OF 3 CROSS SECTION

APPROVED: 5/19/10 TLH