



MANUAL: ~~CROSSFIRE~~[®] WITH STOW-A-WAY 800 BASE

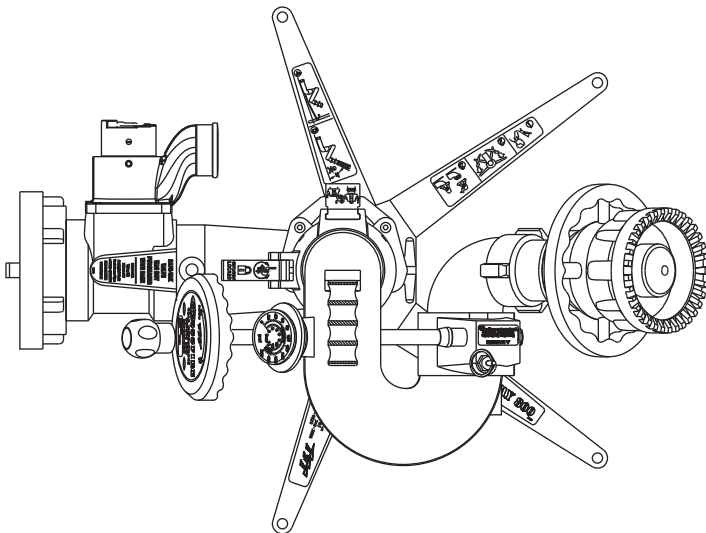
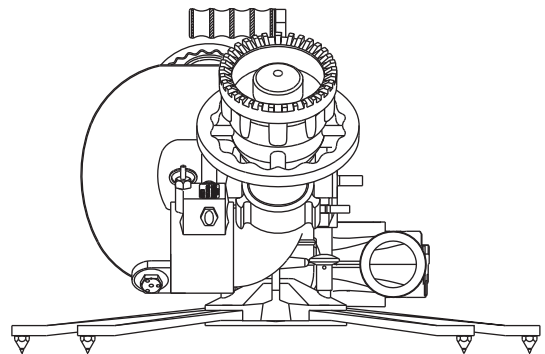
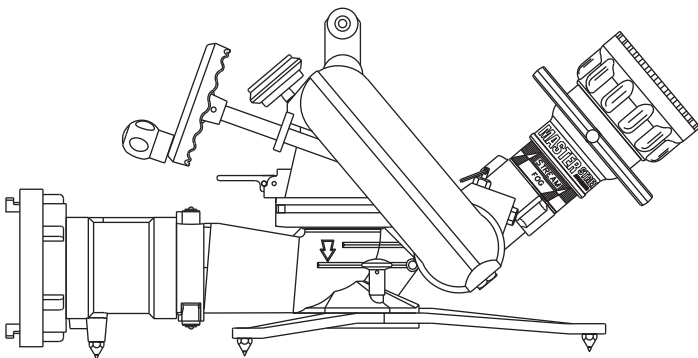
INSTRUCTIONS FOR SAFE OPERATION AND MAINTENANCE

This instruction manual is intended to familiarize firefighters and maintenance personnel with the operation, servicing, and safety procedures associated with the CROSSFIRE portable/deck gun.

This manual should be kept available to all operating and maintenance personnel.

⚠ DANGER

Read instruction manual before use. Operation of this device without understanding the manual and receiving proper training is a misuse of this equipment. A person who has not read and understood all operating and safety instructions, is not qualified to operate the CROSSFIRE portable/deck gun.



Maximum recommended flow:

**1250 GPM (5000 L/min)
on truck mount adaptor,
800 GPM (3000 L/min)
on portable base.**

**Maximum recommended
inlet pressure is 175 psi (12 bar).**

⚠ DANGER

PERSONAL RESPONSIBILITY CODE

The member companies of FEMSA that provide emergency response equipment and services want responders to know and understand the following:

1. Firefighting and Emergency Response are inherently dangerous activities requiring proper training in their hazards and the use of extreme caution at all times.
2. It is your responsibility to read and understand any user's instructions, including purpose and limitations, provided with any piece of equipment you may be called upon to use.
3. It is your responsibility to know that you have been properly trained in Firefighting and /or Emergency Response and in the use, precautions, and care of any equipment you may be called upon to use.
4. It is your responsibility to be in proper physical condition and to maintain the personal skill level required to operate any equipment you may be called upon to use.
5. It is your responsibility to know that your equipment is in operable condition and has been maintained in accordance with the manufacturer's instructions.
6. Failure to follow these guidelines may result in death, burns or other severe injury.



Fire and Emergency Manufacturers and Services Association, Inc.
P.O. Box 147, Lynnfield, MA 01940 • www.FEMSA.org

TASK FORCE TIPS, Inc.
MADE IN USA • www.tft.com




3701 Innovation Way, Valparaiso, IN 46383-9327 USA
800-348-2686 • 219-462-6161 • Fax 219-464-7155

TABLE OF CONTENTS

1.0 MEANING OF SAFETY SIGNAL WORDS	5.0 STOW-A-WAY 800 BASE
2.0 SAFETY	5.1 SITE SELECTION
3.0 GENERAL INFORMATION	5.2 EXTENDING PORTABLE BASE LEGS
3.1 PART IDENTIFICATION	5.3 RETRACTING PORTABLE BASE LEGS
4.0 CROSSFIRE® DEPLOYMENT	5.4 PORTABLE BASE LEG SPIKES
4.1 QUICK CONNECT SWIVEL JOINT	5.5 PORTABLE BASE ANCHORING
4.2 INSTALLING MONITOR ON BASE	5.6 ADDING A FLOW SAFETY VALVE
4.3 REMOVING MONITOR TOP FROM BASE	5.7 HOSE CONNECTION
4.4 SIDE-TO-SIDE ROTATION & ROTATION LOCK	5.8 PORTABLE BASE STORAGE
4.5 ELEVATION CONTROL & STOP PIN	5.9 PRESSURE RELIEF OPTION
4.6 AUTOMATIC DRAIN	5.10 PRESSURE RELIEF VALVE SETTING
4.7 TRUCK MOUNT BASE	6.0 MAINTENANCE
4.8 TRUCK MOUNTING OF THE PORTABLE BASE	6.1 GREASE WORM GEAR
4.9 CROSSFIRE® USAGE	6.2 PERFORMANCE TESTING
4.10 FLOWS & PRESSURES	7.0 SPECIFICATIONS
4.10.1 STACKED TIPS	8.0 DRAWINGS AND PARTS LIST
4.10.2 AUTOMATIC MASTER STREAM NOZZLES	9.0 WARRANTY - CROSSFIRE SERIES
4.10.3 STREAM STRAIGHTENERS	10.0 INSPECTION CHECKLIST
4.11 TRANSPORTING MONITOR ON TRUCK MOUNT BASE	




1.0 MEANING OF SAFETY SIGNAL WORDS

A safety related message is identified by a safety alert symbol and a signal word to indicate the level of risk involved with a particular hazard. Per ANSI standard Z535.4-1998 the definitions of the three signal words are as follows:

	DANGER indicates an imminently hazardous situation which, if not avoided, will result in death or serious injury.
	WARNING indicates a potentially hazardous situation which, if not avoided, could result in death or serious injury.
	CAUTION indicates a potentially hazardous situation which, if not avoided, may result in minor or moderate injury.

2.0 SAFETY

The operation of this monitor, particularly with the portable base can be dangerous. The following must be observed at all times.

	Low nozzle elevation angles can cause portable monitors to slide or lift off the ground which can result in injury or death. Do not operate the monitor on the portable base below the elevation safety stop.
	An out of control monitor can cause injury or death. To reduce risk of instability, do not attempt to move the portable monitor with water flowing.
	Injury can occur from an inadequately supported monitor. When the monitor is used on a truck the mounting must be capable of supporting 900 lbs (400 KG) of nozzle reaction force. Note: the storage bracket is intended for storage of the monitor only. It is not strong enough to withstand the forces of monitor operation. Flanges and pipe made from plastic are inadequate for monitor mounting and must not be used.

⚠️ WARNING

A sliding monitor can cause injury. To protect against sliding:

- make sure the base legs are locked in position with all leg spikes in contact with the ground.
- securely tie the monitor to an object capable of withstanding 900 lbs (400 kg) of force.
- use additional tie downs on hard surfaces such as concrete, asphalt, and metal.
- avoid lifting the monitor when moving the hoses around it.

⚠️ WARNING

This equipment is intended for use by trained personnel for firefighting. Their use for other purposes may involve hazards not addressed by this manual. Seek appropriate guidance and training to reduce risk of injury.

⚠️ WARNING

Some volatile liquids can be ignited by static discharge. Static build-up can occur from:

- Electrochemical separation of charge as water drains through low conductivity, refined products.
- Applying foam over a low conductivity liquid of sufficient depth to retain the charge created as the foam blanket drains.
- Streaming currents as water or foam is introduced into the storage tank.¹

⚠️ WARNING

Water is a conductor of electricity. Application of water solutions on high voltage equipment can cause injury or death by electrocution. The amount of current that may be carried back to the nozzle will depend on the following factors:

- Voltage of the line or equipment
- Distance from the nozzle to the line or equipment
- Size of the stream
- Whether the stream is solid or broken
- Purity of the water²

¹ Electrostatic Hazards of Foam Blanketing Operations by Peter Howels. Industrial Fire Safety July/August 1993

² The Fire Fighter and Electrical Equipment, The University of Michigan Extension Service, Fourth Printing 1983. Page 47.

⚠️ CAUTION

Master stream flows are very powerful and capable of causing injury and property damage. Make sure the monitor is securely attached to the base and pointing in a safe direction before water to the monitor is turned on. Use care in directing the stream.

⚠️ CAUTION

Nozzle must be properly connected. Mismatched or damaged threads may cause nozzle to leak or uncouple under pressure and could cause injury.

⚠️ CAUTION

Do not couple aluminum to brass. Dissimilar metals coupled together can cause galvanic corrosion that can result in inability to unscrew threads or complete loss of thread engagement.

3.0 GENERAL INFORMATION

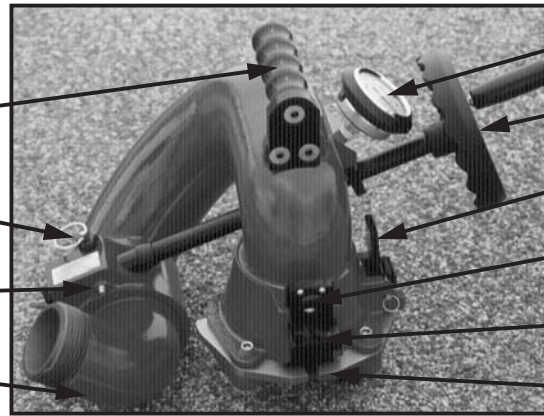
The CROSSFIRE monitor is the most rugged and innovative deck/portable master stream device ever offered to the fire service. Attachment of the CROSSFIRE to the base is quick, easy, positive, and can be visually verified. The release mechanism is locked out by water pressure. The rotation lock is a simple lever which securely holds the CROSSFIRE monitor in position. An automatic drain allows water to drain from the monitor when not in use.

3.1 CROSSFIRE PART IDENTIFICATION

Figures 3.1.1, 3.1.2, & 3.1.3 show the CROSSFIRE monitor, STOW-A-WAY 800 portable base, truck mount adaptor and identifies the various parts and controls.

CROSSFIRE MONITOR TOP

- Carrying Handle
- Elevation Pin Stop
- Grease Fitting
- Automatic Drain



- Pressure Gauge
- Elevation Control
- Rotation Lock
- Safety Plunger
- Slide Bar
- Pawls

Figure 3.1.1

STOW-A-WAY 800 BASE

- Inlet
- Anchor Strap & Storage Cover
- Stainless Steel Leg



- Leg Lock Knob
- Carrying Handle
- Anchor Attachment Point

Figure 3.1.2

TRUCK MOUNT ADAPTOR



COMPANION FLANGE

Figure 3.1.3

4.0 CROSSFIRE DEPLOYMENT

The CROSSFIRE monitor can be used on either a truck mount adaptor, Extend-A-Gun or portable base. Installation on either base makes use of a quick connect swivel joint. The use of each base and the quick connect joint is explained in the following sections.

4.1 QUICK CONNECT SWIVEL JOINT

Two pawls, actuated by the slide bar, engage in the base swivel to make the quick connect joint. A safety plunger engages in the slide bar to prevent accidental unlocking of the slide bar when the monitor is under pressure.

4.2 INSTALLING MONITOR ON BASE

To install the monitor on either the truck mount flange or portable base: Refer to figures 4.2.1, 4.2.2, & 4.2.3.

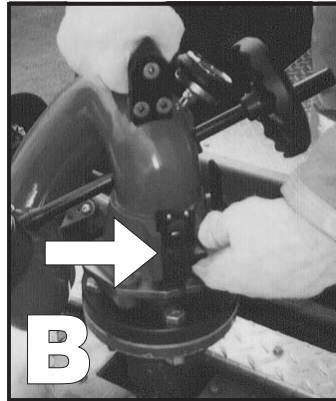
Figure 4.2.1



A) Turn elevation handwheel to make sure the elevation of the nozzle is above the 35° safety stop. Verify that the elevation stop pin is down and engaged.

Make sure the slide bar is in the up position.

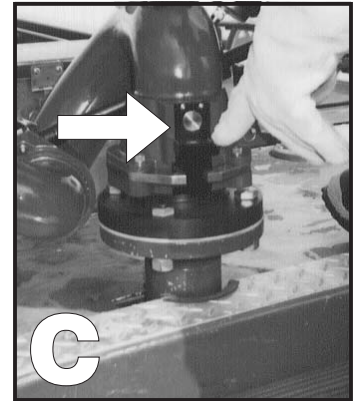
Figure 4.2.2



Slide bar up, safety plunger is not engaged.

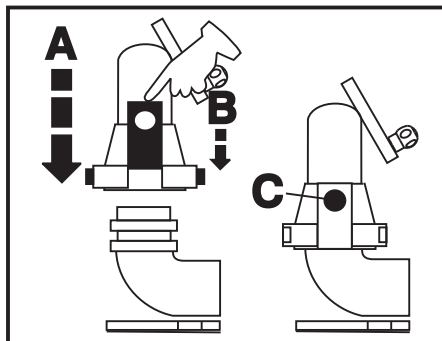
B) Hold the monitor by the top carrying handle, position monitor over base and slide straight down.

Figure 4.2.3



Slide bar locked, safety plunger is engaged.

C) Push the slide bar down, watch the pawls engage the groove in the base and the safety plunger engage in the hole in the slide bar.



4.3 REMOVING MONITOR TOP FROM BASE

To remove the monitor from its base:

- Stop all water flow.
- Depress the safety plunger and lift the slide bar which will disengage the spring loaded pawls from the groove in the base.
- Lift the monitor straight up off the base by the handle on top of the monitor.

4.4 SIDE-TO-SIDE ROTATION AND ROTATION LOCK

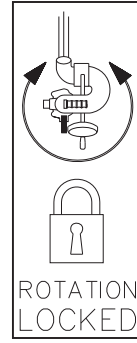
Side-to-side rotation is accomplished by rotating the monitor on its base. The rotational position can be locked by moving the rotation lock lever to its down position as shown in Figures 4.4.1 & 4.4.2. Before the monitor is removed from the base, the rotation lock should be manually disengaged. A small spring holds the rotational lock in the unlocked position. When not rotating the monitor on the base, keep the rotation lock locked.



Figure 4.4.1
Unlocked



Figure 4.4.2
Locked



⚠ WARNING

A sliding monitor can cause injury. When used on a portable base, keep the horizontal angle between the water stream and the anchor strap as small as possible. At large angles the base can slide in an arc around the anchor point.

4.5 ELEVATION CONTROL AND STOP PIN

When a nozzle is flowing water the reaction force acts in a straight line that is directly opposite the water flowing out the end of the nozzle. If a nozzle on a monitor on a portable base is pointed straight up, all of the reaction force is directed straight down and there is no sideways force that can cause the base to slide. As the nozzle is angled downward at the same flow, the reaction force remains the same, but some of that force becomes a force acting sideways and some acts in a downward direction. When the nozzle is at an angle of 45° the force acting sideways is equal to the force acting downward on the base. As the elevation angle of the nozzle is lowered the sideways force increases while the downward force decreases. At an angle of 35°, (the angle at the elevation safety stop), approximately 82% of the nozzle reaction force is acting sideways on the base. When the nozzle is at a zero degree angle, with respect to the base, the entire reaction force is acting sideways on the base and there is no downward force at all. The lower the elevation angle of the nozzle, with respect to the base, the greater the force that causes sliding, and the more likely sliding will occur.



Figure 4.5.1
Elevation control



Figure 4.5.2
Elevation stop pin out

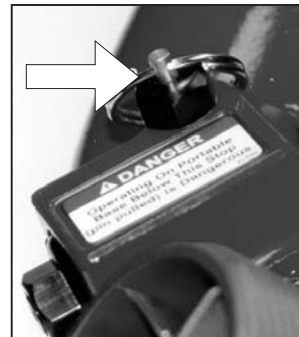


Figure 4.5.3
Elevation stop pin in

⚠ DANGER
Operating On Portable Base Below This Stop (pin pulled) Is Dangerous.
XL090

⚠ DANGER

Operating on a portable base below this safety stop is DANGEROUS. Do not operate on portable base below safety stop. Injury or death can occur if the monitor and base slides or lifts off the ground.

When mounted on a truck base, the nozzle may be lowered below the 35° safety stop by pulling out the stop pin and rotating the handwheel below the 35° stop. When the nozzle is raised back above 35°, the spring loaded stop pin will snap back into position automatically limiting the elevation of the nozzle with respect to the base to 35°.

4.6 AUTOMATIC DRAIN

An automatic drain empties water from a low point in the monitor piping to prevent freezing and help empty hose lines. The valve is designed to close automatically when pressure in the monitor exceeds approximately 5 psi and open again when the pressure drops to that point. When the automatic drain is not desirable it may be disabled. To disable the drain valve refer to the exploded view on page 12 and follow the steps below:

- 1) Unscrew the drain assembly (40, 41, 42, & 43) and remove the screw and washer (42 & 43)
- 2) Flip over the rubber drain valve (41) so that the raised edge is against the face of the housing (40).
- 3) Reassemble.

4.7 TRUCK MOUNT BASE

The CROSSFIRE® monitor may be used from a truck by using a truck mount adapter. The truck mount adapter can be bolted to the riser pipe with a 3" ANSI 150# or 4" ANSI 150# companion flange and gasket using 5/8" bolts. It can also be screwed directly on a male pipe thread. Use of pipe thread sealant is recommended. The riser must be supported to safely withstand a nozzle reaction force of up to 900 lbs (400 KG). Make sure that no interference exists between the monitor and other deck mounted equipment in any direction. See truck mount base installation instructions for details, document #LIX-045.

A drain valve should be provided in the riser pipe which supplies the monitor. The riser should be drained immediately after each use during cold weather to prevent freezing and possible damage. The monitor has an automatic drain. If this drain has been disabled (see section 4.6), the monitor must be drained by lowering the nozzle below horizontal. Installation instructions are supplied with the truck mount base.

4.8 TRUCK MOUNTING OF THE PORTABLE BASE

In some cases a user may not have a riser directly off of the pump that can be used for mounting the monitor. In this case it may be desirable to supply the monitor with hose lines connected to the side discharge of the pumper. In these circumstances it is recommended that the user purchase a Deck Mount Plate, TFT part XF400-KIT, from the manufacturer. Please call 1-800-348-2686 for further information and advice concerning mounting alternatives. Installation instructions are shipped with this accessory. The storage bracket, TFT part XF-B, for the base unit IS NOT STRONG ENOUGH to withstand the forces encountered with an operating monitor and is not intended for this purpose.

4.9 CROSSFIRE® USAGE

Because of the arched trajectory of a fire stream, it is recommended that a spotter be used to accurately direct the stream from the monitor. Master streams flows are powerful and capable of injury and damage to property. Use great care in directing the stream.

4.10 FLOWS & PRESSURES

The CROSSFIRE® monitor is designed for maximum flows of 1250 gpm (5000 l/min) on the truck mount adaptor, 800 gpm (3000 l/min) on the STOW-A-WAY portable base and a maximum pressure of 175 psi (12 bar). Do not exceed these limits.

4.10.1 STACKED TIPS

NOZZLE DIAMETER	NOZZLE PRESSURE									
	50 PSI		80 PSI		100 PSI		150 PSI		175 PSI	
	FLOW (GPM)	REACTION (LBS)	FLOW (GPM)	REACTION (LBS)	FLOW (GPM)	REACTION (LBS)	FLOW (GPM)	REACTION (LBS)	FLOW (GPM)	REACTION (LBS)
1-3/8"	400	150	500	240	560	300	680	440	730	520
1-1/2"	470	180	600	280	660	350	810	520	870	620
1-3/4"	640	240	810	380	910	480	1100	712	1190	840
2"	840	310	1060	500	1190	630	—	—	—	—

Flow exceeds rating of portable base. Use only when monitor is truck mounted.

Flow exceeds rating of truck mounted monitor.

NOZZLE DIAMETER (MM)	NOZZLE PRESSURE									
	3.5 BAR		5.5 BAR		7 BAR		10 BAR		12 BAR	
	FLOW (L/min)	REACTION (KG)	FLOW (L/min)	REACTION (KG)	FLOW (L/min)	REACTION (KG)	FLOW (L/min)	REACTION (KG)	FLOW (L/min)	REACTION (KG)
35	1500	70	1900	110	2200	140	2600	200	2800	240
38	1800	80	2300	130	2500	160	3000	230	3300	280
44	2400	110	3000	170	3400	220	4100	310	4500	370
50	3100	140	3900	220	4400	280	—	—	—	—

Flow exceeds rating of portable base. Use only when monitor is truck mounted.

Flow exceeds rating of truck mounted monitor.

4.10.2 AUTOMATIC MASTER STREAM NOZZLES

Automatic nozzles maintain a constant pressure by adjusting their opening to match the available flow. Consult the nozzle manufacturer for maximum flow and pressure ratings. In all cases, do not exceed 1250 gpm (5000 l/min) or 175 psi (12 bar) on a truck mounted monitor or 800 gpm (3000 l/min) on the STOW-A-WAY base.

4.10.3 STREAM STRAIGHTENERS

Stream quality, especially with smooth bore nozzles, is generally improved with a stream straightener because the water must make many bends passing through a monitor.

4.11 TRANSPORTING MONITOR ON TRUCK MOUNT BASE

If the monitor is to be transported on a truck mount base, the horizontal lock should be kept locked to keep the monitor from spinning on its base. The rotational position can be locked by moving the rotation lock lever to its down position. The nozzle may be supported by a bracket or pointed straight up.

5.0 STOW-A-WAY 800 BASE

The portable base allows the monitor to be positioned in places that are not accessible with a fire truck. The legs are made of stainless spring steel and will flex when in use to compensate for small ground irregularities. It is intended for maximum flows of 800 gpm (3000 l/min).

5.1 SITE SELECTION

Safe operation of the monitor on the portable base begins with site selection. The site should be a safe distance from the fire yet within reach of the nozzle stream. Select a flat even surface within 8 feet of a sturdy stationary object that can be used as an attachment point for the anchor strap. Set up the portable base with the anchor point between the portable base and desired target of the nozzle stream.

5.2 EXTENDING PORTABLE BASE LEGS

The portable base legs are extended by following these steps:

(Refer to figures 5.2.1, 5.2.2, & 5.2.3)

a) Hold the base carrying handle with one hand and grasp the end of one of the longer legs with the other hand. Pull this leg away from the base forward in an arc, until the locking pin engages. The locking pin is spring loaded and automatically engages when the legs are in the correct position. Watch the leg lock knob drop down, even with the lower band on the base, indicated by an arrow.

b) Repeat procedure (a) to extend other set of legs.

c) Set portable base on even ground with all leg spikes in contact with the ground.

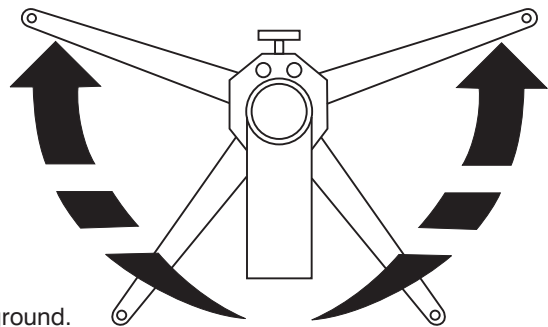


Figure 5.2.1

Hold base carrying handle and grasp end of longer leg



Figure 5.2.2

One set of legs opened and locked in position



Figure 5.2.3

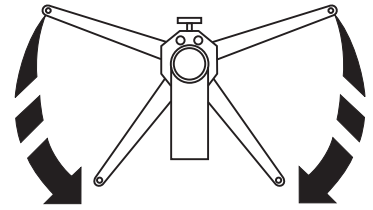
Both sets of legs opened and locked in position

Lift off the storage cap and remove the anchor strap from inside the base. Keep the anchor strap near the monitor as it will be used to anchor monitor before use.

5.3 RETRACTING PORTABLE BASE LEGS

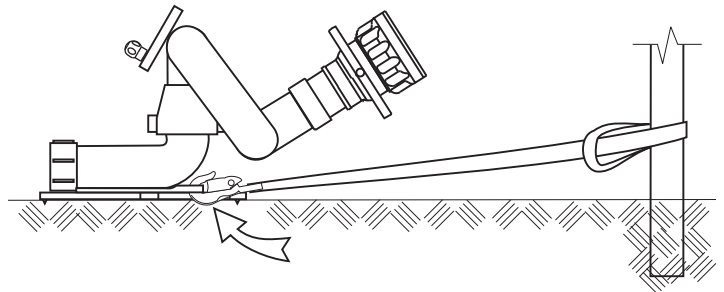
For carrying and storage, the legs are retracted as follows:

- a) Pull up on one of the spring loaded leg lock knobs, grasp the forward leg, on the same side, and push it, in an arc, towards the rear of the unit. The leg lock knob may be released as soon as the front leg begins to move out of position. Continue to push until both legs come in contact with the rear stop.
- b) Repeat procedure (a) to retract the other legs.



5.4 PORTABLE BASE LEG SPIKES

The STOW-A-WAY Base has 5 tungsten carbide tipped spikes on the legs and base to resist sliding by digging into the surface the base is sitting on. The amount of sideways force these spikes can withstand depends upon several factors, particularly, the amount of downward and sideways force that is on the base and the hardness and texture of the surface the spikes are in contact with. At low elevation angles it is difficult for these spikes to resist sliding. This is why the portable base must be well anchored. These spikes are essential to safe operation of the monitor base and must be in contact with the ground at all times. Do not operate without first securing the monitor with safety lines to prevent sliding. Set the monitor on an even surface so that all the spikes contact the ground. See section 6.0 for spike inspection procedures.



5.5 PORTABLE BASE ANCHORING

The safest method of restraining the monitor is to use a tie down strap. It is inherently more reliable than other methods since it does not rely on traction or digging in of the spikes. It is also the safest method because, even if the monitor moves, its travel is limited by the strap. A forward attachment point and a strap are provided with the Crossfire. A loop on the end of the strap may be placed over the anchor point or the strap may be wrapped around an object, such as a tree, and the snap end of the strap passed through the loop and pulled tight. Keep the entire length of the strap as close to the ground as possible. Snap the hook into the hole in the front of the Crossfire. If the strap is too short to reach a suitable anchor, it may be extended with strong rope or chain. Keep the distance between the Crossfire and anchor as short as possible. Remove all slack between the Crossfire and anchor before flowing water.



WARNING

A sliding monitor can cause injury. Remove all slack between the anchor and base before flowing water.

At low nozzle elevation angles the base may also require additional anchoring. The ability of a single anchor to stop sliding is a function of the horizontal angle between the strap and water stream. When the stream is in line with the anchor any sliding will be arrested by the anchor. As the horizontal angle increases between the anchor strap and the stream, the base can begin to slide in an arc around the anchor point. In this situation multiple anchor points may be required.

The strap should be stored inside the monitor base when not in use. The black rubber cap on the strap will hold the strap in the base and protect the sealing surface of the quick connect swivel joint.

5.6 ADDING A FLOW SAFETY VALVE

The STOW-A-WAY 800 portable base does not contain a flow safety valve.

A flow safety valve upgrade kit #XF500-KIT may be added to this portable base at any time to gain the features of the flow safety valve. The kit may be installed in the field or at the factory.

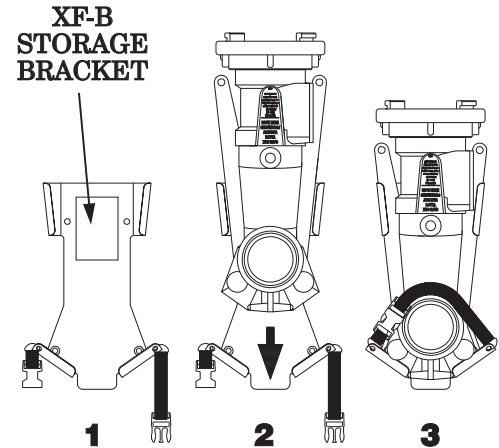
The flow safety valve reduces the flow area through the monitor by 90%, should the base lose contact with the ground for any reason. In the reduced flow condition, the nozzle reaction is less thereby reducing the risk of injury.

5.7 HOSE CONNECTION

Make the hose connection(s) to the portable base and extend the hose(s) straight back from the portable base at least 10 feet (3 meters). If only one inlet of a double inlet base be used, a clapper valve will automatically close off the other inlet. Use caution when turning on the water to the monitor on the portable base. As the hose fills it will become stiff and may cause the monitor and portable base to slide or tip or both. Open the pumper valve to the monitor slowly.

5.8 PORTABLE BASE STORAGE

The portable base may be stored in a compartment, on the optional storage bracket, TFT part number XF-B. This bracket is NOT designed to withstand the reaction forces of an operating monitor stream. It is to be used for storage and transportation only. The storage bracket may be mounted on a horizontal surface, horizontally or vertically on a vertical surface, or on the underside of a horizontal surface such as the top of a compartment. A strap helps hold the base on the bracket. Mounting instructions are supplied with the bracket.

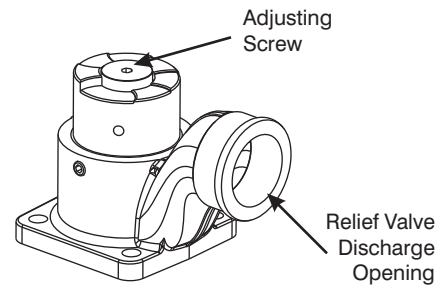


5.9 PRESSURE RELIEF OPTION

The optional pressure relief valve on the single inlet portable base can be adjusted to open between 50 and 200 psi. The pressure relief valve, TFT part number A1820, is set at the factory to open at 150 psi. To change the relief pressure refer to the label on the bottom side of the pressure relief valve. A pressure relief valve can be added to the single inlet portable base by removing the cover on the side of the base. For additional information call 800-348-2686.

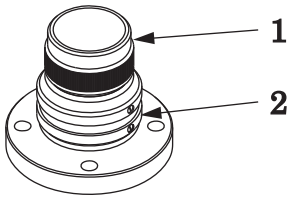
5.10 PRESSURE RELIEF VALVE SETTING

To set the relief valve pressure turn the adjusting screw on the relief valve housing until the surface of the screw is even with the desired pressure. Do not cap or plug discharge opening.



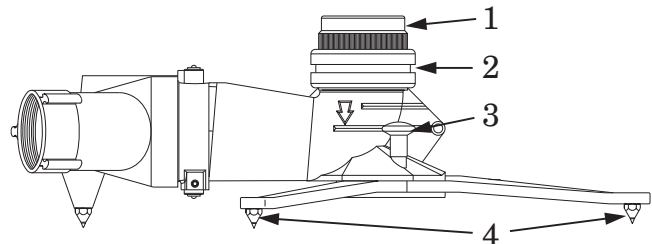
6.0 MAINTENANCE

The CROSSFIRE® monitor and its base require little maintenance. The unit should be kept clean and free of dirt by flushing with water after each use. All controls should be checked for freedom of movement and condition. Any inoperable or damaged part should be repaired or replaced immediately. Specific areas to check are as follows:



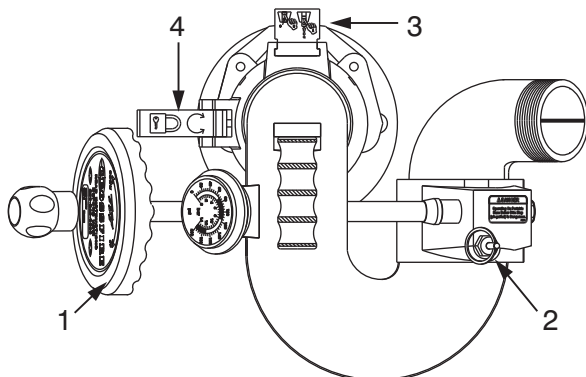
Truck Mount Base:

- 1) Sealing surface above swivel joint must be smooth.
- 2) Swivel joint must rotate freely.



Portable Base:

- 1) Sealing surface above swivel joint must be smooth.
- 2) Swivel joint must rotate freely.
- 3) Legs and leg lock pins must move freely and lock in position.
- 4) Leg spikes must be sharp.
(replace if flats at tip of spikes exceed 1/16" diameter)



Monitor:

- 1) Handwheel must rotate freely.
- 2) Elevation stop pin must return to safe position.
- 3) Quick disconnect latch and safety catch must operate freely.
- 4) Rotation lock must operate freely and keep monitor from rotating when engaged.

6.1 GREASE WORM GEAR

Turn the handwheel to move the nozzle to its highest elevation and pump grease (medium viscosity automotive) into the fitting in the worm gear housing until excess appears.

6.2 PERFORMANCE TESTS

Performance tests shall be conducted on the Crossfire Monitor after a repair, or anytime a problem is reported to verify operation in accordance with Task Force Tips test procedures. Consult factory for the procedure that corresponds to the model and the serial number of the Monitor. Any equipment which fails the related test criteria should be removed from service immediately. Troubleshooting guides are available with each test procedure or equipment can be returned to the factory for service and testing.

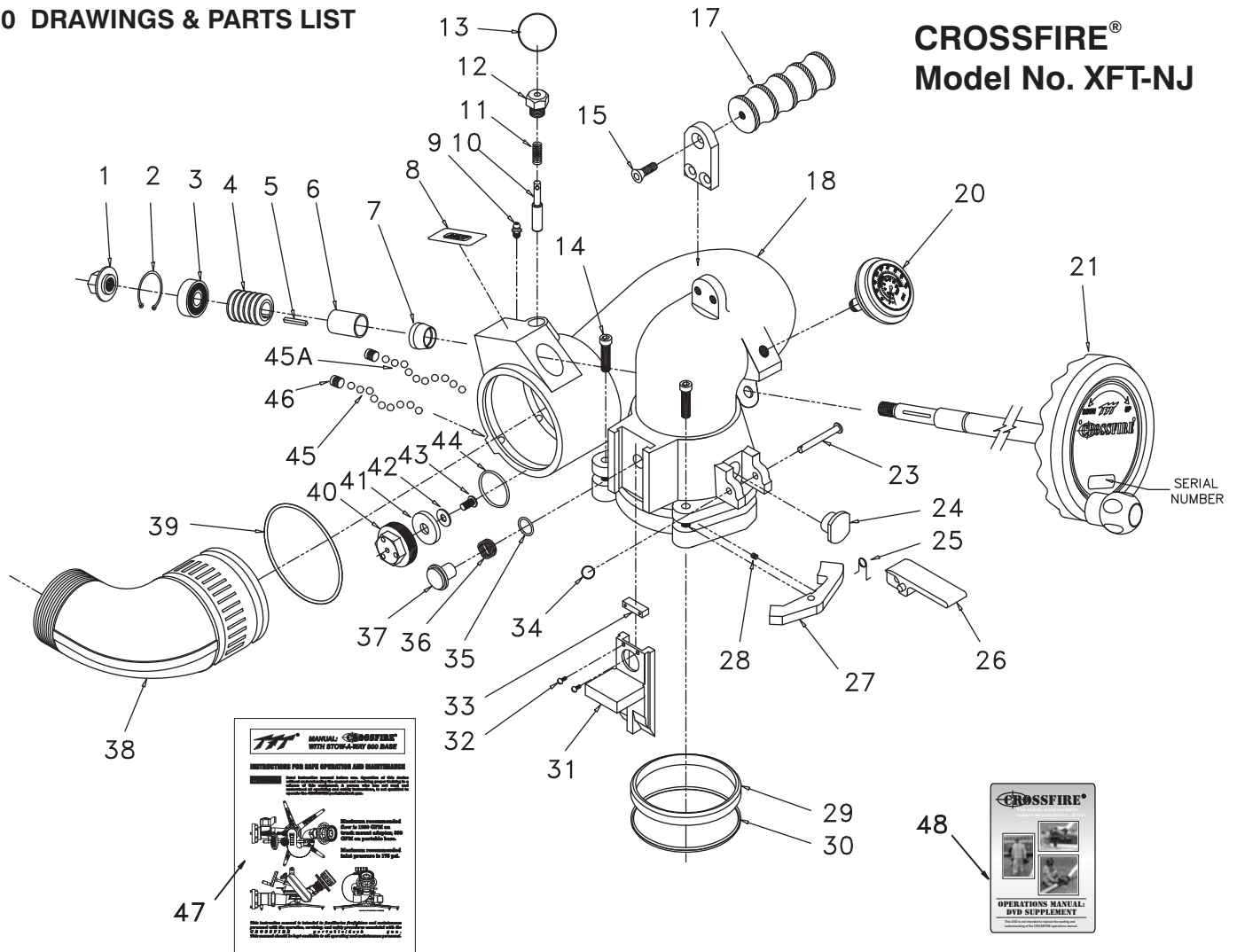
7.0 SPECIFICATIONS

	CROSSFIRE Monitor	STOW-A-WAY 800 Base*
Weight	17 lbs 6.7 kg	20.7 lbs 9.4 kg
Storage Volume	4060 in ³ .066m ³	1620 in ³ .027m ³
L-W-H	20" x 14-1/2" x 14" .51 x .37 x .36m	20" x 9" x 9" .51 x .23 x .23m
Height Above Truck Flange	12-1/2 in 320mm	NA
Height Above Truck Deck (min)	14 in 360mm	NA
Height Above Ground on Base	16-1/2 in 420mm	NA
Line of Reaction Force Above Ground	4 in 100mm	NA
Flow Area (minimum)	8.3 in ² 5360mm ²	8.3 in ² 5360mm ²
Maximum Flow	1250 GPM 5000 L/min	800 GPM 3000 L/min
Maximum Pressure	175 PSI 12 bar	175 PSI 12 bar
Materials Used	Cast Aluminum, Aluminum, Stainless Steel	Cast Aluminum, Aluminum, Stainless Steel
Inlets Available	One	Numerous Single & Double Inlets 2-1/2" - 6"

Dimensions shown for STOW-A-WAY 800 portable base with double inlet 2-1/2" model.

8.0 DRAWINGS & PARTS LIST

CROSSFIRE® Model No. XFT-NJ

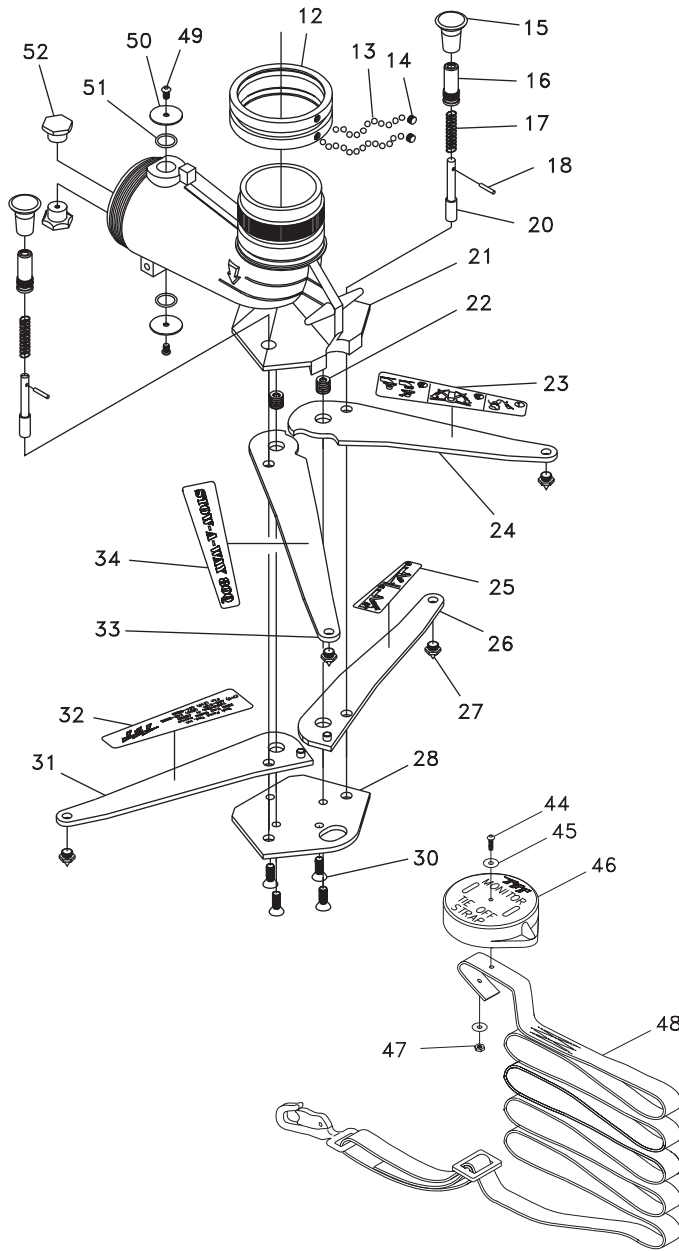


#	DESCRIPTION	QTY	PART #	#	DESCRIPTION	QTY	PART #
1	SHAFT NUT	1	X210	27	PAWL	2	X135
2	SNAP RING	1	VR4220	28	DETENT SPRING	2	H770
3	BEARING	1	VM4250	29	WEAR STRIP	1	X120
4	WORM WITH KEYWAY	1	X220	30	CUP SEAL .366 NITRILE 70A	1	X125
5	KEY 1/8 X 1.00	1	X225	31	SLIDE BAR	1	X140
6	BUSHING	1	X230	32	#6-32 X 1/4 BUTTON HEAD	2	VT06E32BH250
7	BOOT	1	X240	33	COVER	1	X142
8	DANGER LABEL	1	XL090	34	CLEVIS PIN RETAINER	1	X137
9	11/4-28 GREASE FITTING	1	VT25-28ZERK	35	O-RING-018	1	VO-018
10	PULL PIN	1	X340	36	PLUNGER WAVE SPRING	1	X165
11	PULL PIN SPRING	1	X345	37	SAFETY PLUNGER	1	X150
12	PULL PIN HOUSING	1	X350	38	2.5 NH ELBOW/VANE ASSEMBLY	1	X339NJ**
13	KEY RING	1	VR4300	39	O-RING-241	1	VO-241
14	5/16-18 X 1-1/4 SHCS	2	VT31-18SH1.2	40	DRAIN HOUSING	1	X375
15	3/8-16X7/8SHCS	1	VT37-16SH875	41	DRAIN PLUG	1	X382
17	PEG - CARRYING HANDLE	1	X362	42	FLAT WASHER	1	VW687X281-50
18	BIG BEND/BELL ASSEMBLY	1	X800**	43	1/4-28 X 1/2 BHCS	1	VT25-28BH500
20	200 PSI/BAR GAGE/BUMPER	1	X823	44	O-RING 130	1	VO-130
21	HANDWHEEL ASSEMBLY	1	X810	45	5/16 SS BALLS	38	VB.312
23	ROTATION LOCK PIVOT	1	X180	45A	5/16 TORLON BALLS	38	VB.312TO
24	ROTATION LOCK INSERT	1	X170	46	3/8-24 x 3/8 SOCKET SET	2	VT37F24SS312
25	ROTATION LOCK SPRING	1	X152	47	MANUAL - CROSSFIRE WITH STOW-A-WAY BASE	1	LIX-040
26	ROTATION LOCK LEVER	1	X821	48	DVD - CROSSFIRE	1	LIX-200

** NOTE: Specify desired color and hose thread at time of order.

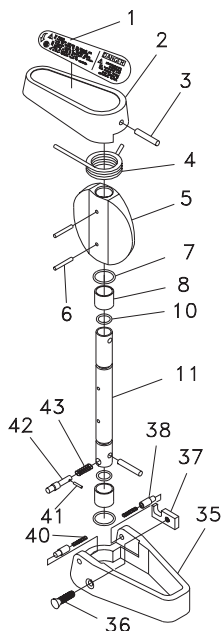
STOW-A-WAY 800®

without Safety Valve



#	DESCRIPTION	QTY	PART #
12	SWIVEL RING	1	X425
13	5/16 SS BALLS	76	VB.312
14	SWIVEL SCREW	2	X405
15	SHOT PIN KNOB	2	X430
16	KNOB BARREL	2	X440
17	SHOT PIN SPRING	2	X445
18	5/32 x 7/8 SPIROL PIN	2	V1900
20	SHOT PIN	2	X435
21	BASE	1	X420
22	BELLEVILLE WASHER	12	D07590
23	INSTRUCTION LEG LABEL 1-3	1	XL010
24	FRONT LEG - LEFT	1	X470L
25	INSTRUCTION LEG LABEL 4-5	1	XL020
26	REAR LEG - LEFT	1	X460L
27	SPIKE	4	X480
28	BOTTOM PLATE	1	X450
30	3/8-16 X 3/4 FLAT HEAD SHCS	4	VT37-16FH750
31	REAR LEG - RIGHT	1	X460R
32	TFT LEG LABEL	1	XL050
33	FRONT LEG - RIGHT	1	X470R
34	SAFE-TAK LEG LABEL	1	XL040
44	#10-32 x 3/4 BUTTON HEAD	1	VT10E32BH750
45	STAINLESS STEEL WASHER 18-8	2	V2038
46	STRAP CAP	1	X457
47	#10-32 HEX NUT	1	VT10-32NT
48	STRAP ASSEMBLY	1	RX455
49	1/4-28 X 1/2 BUTTONHEAD	2	VT25-28BH500
50	2.5" CLAPPER WASHER	2	X752
51	O-RING-118	2	VO-118
52	PLUG	2	X510

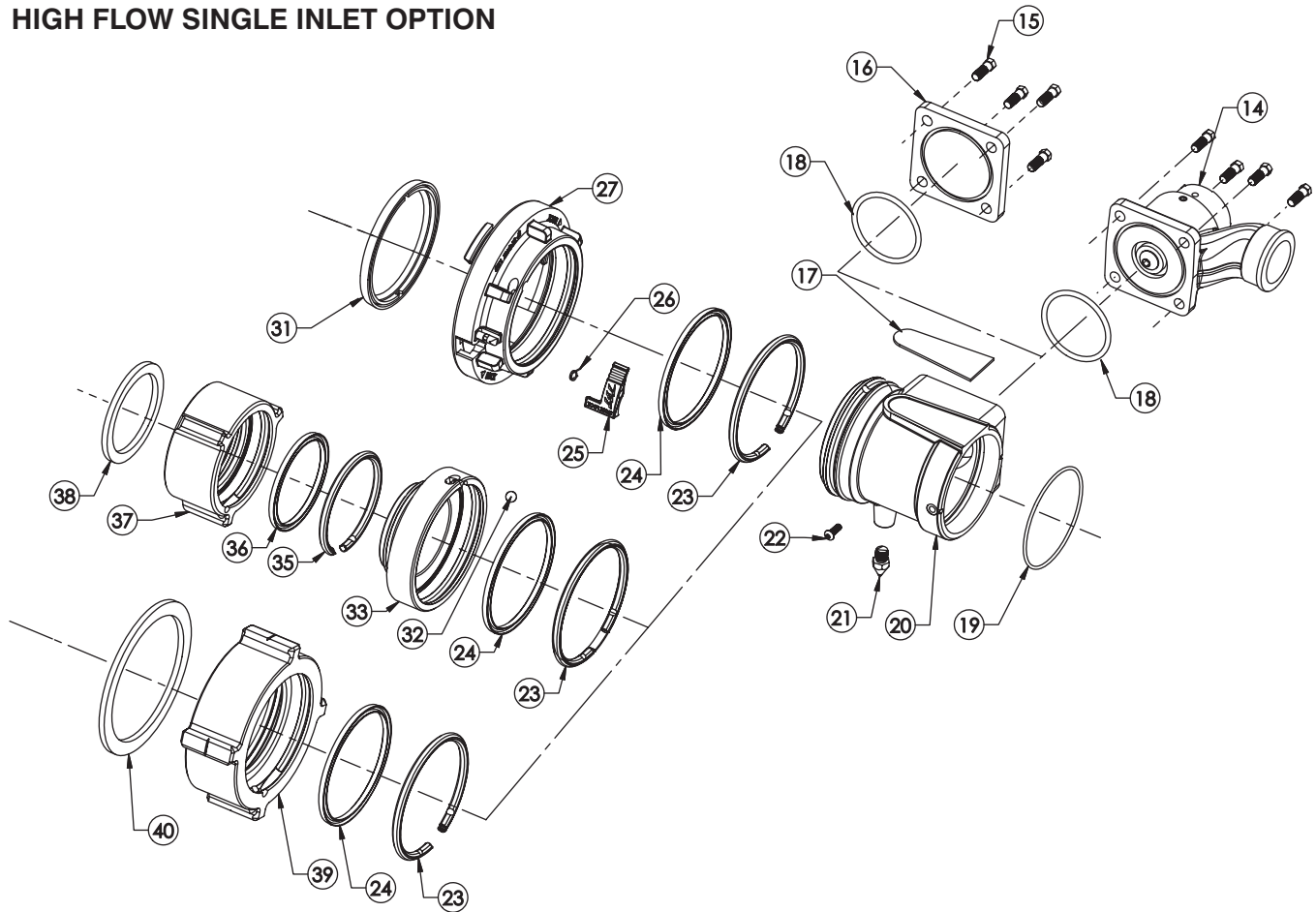
XF500-KIT VALVE UPGRADE KIT



See
Section
5.6

#	DESCRIPTION	QTY	PART #
1	SAFETY VALVE HANDLE LABEL	1	XL070
2	VALVE HANDLE	1	X540
3	1/4 x 1 3/8 SPIROL PIN	1	VP250X1.375H
4	TORSION SPRING	1	X560
5	BUTTERFLY	1	X550
6	5/32 x 1 1/8 SPIROL PIN	3	V1920
7	O-RING-118	2	VO-118
8	BUSHING	2	X565
10	O-RING-113	2	VO-113
11	VALVE SHAFT	1	X570
35	PADDLE	1	X530
36	1/4-20 x 7/8 FLAT HEAD	1	VT25E20FH875
37	WEAR PLATE	1	X585
38	PADDLE PIVOT	2	X590
40	PADDLE PIVOT SPRING	2	X575
41	3/32 x 1/2 SPIROL PIN	1	VP094X500H
42	TRIP PIN	1	X580
43	TRIP PIN SPRING	1	X582

HIGH FLOW SINGLE INLET OPTION

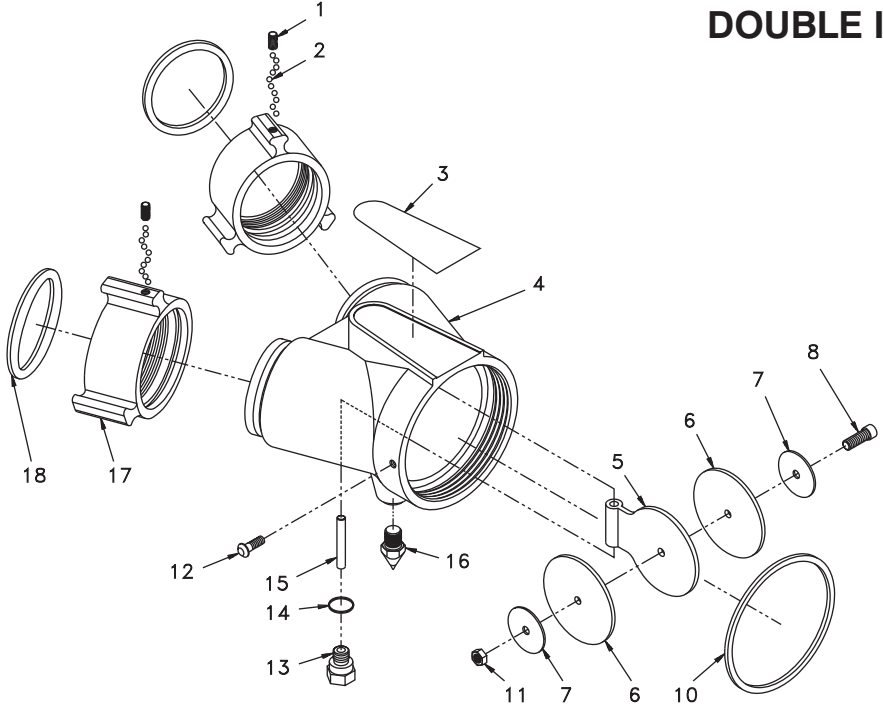


4" Storz Coupling is available (not shown)

	DESCRIPTION	QTY	PART
1	STORZ 4" FTS PSF4.25 - PARTS SET FULL TIME SWIVEL	1	A4114.1
2	MATE PSM4.25 X PSF5.25 LOCKOUT PART SET	1	A4730.2

#	DESCRIPTION	Qty	Part #
14	RELIEF VALVE WITHOUT THREAD, ALUMINUM	1	A1810
15	7/16-14 X 1 HEX HEAD BOLT 18-8 STAINLESS STEEL	4	VT43-14HX1.0
16	LDH BLANK CAP HARDCOAT USE ON X651	1	X631
17	SAFETY VALVE BASE LABEL	1	XL080
18	O-RING-236 3-1/4 ID 1/8 C/S 3.234 +/- .024 ID.139 +/- .004 C/S	1	VO-236
19	O-RING-244 4-1/4 ID 1/8 C/S 4.234+-.030 ID .139+-.004 C/S	1	VO-244
20	LDH ADAPTOR W/PSM5.25	1	X651
21	REAR SPIKE	1	X482
22	1/4-28 X 3/4 BUTTON HEAD	1	VT25Y28BH750
23	PLASTIC STRIP 5.25 - MOLDED	1	A1291
24	CUP SEAL 5.25 X 4.75 X 1/4 PRECISION ASSOCIATES #666-427	1	A1296
25	LOCKING LEVER - MOLDED	1	A4171
26	SPRING TORSION (STORZ LOCK) 9991067 MIDSTATE # 210049	1	A4230
27	COUPLING HEAD STORZ 5 X 5.25 PSF HARDCOAT	1	A4135
31	GASKET 5 PRESSURE MOLDED 9991000	1	A4220
32	BALL 7/16 STAINLESS 302 GRADE 100	1	VB.437
33	MATE PSM4.25 X PSF5.25 - HARDCOAT	1	A4730
35	PLASTIC STRIP 4.25 - MOLDED	1	A1292
36	CUP SEAL 4.25 X 3.75 X 1/4	1	A1297
37	COUPLING RL 3.0NHF X PSF4.25	1	A4650N
	COUPLING RL 3.5NHF X PSF4.25	1	A4655N
38	GASKET 3.0 HOSE COUPLING	1	V3194
	GASKET 3.5 HOSE COUPLING	1	V3196
39	4.0 NH FEMALE X PSF5.25	1	A4660N
40	4.0 HOSE COUPLING GASKET	1	V3198

DOUBLE INLET OPTION



#	DESCRIPTION	QTY	PART #
1	1/4-28 x 1/2 SOCKET SET	2	VT25-28SS500
2	3/16 SS BALL	96	V2120
3	SAFETY VALVE BASE LABEL OR NO VALVE BASE LABEL	1	XL080 OR XL085
4	2.5" WYE	1	X712
5	2.5" CLAPPER	1	X772
6	2.5" CLAPPER GASKET	2	X762
7	WASHER	2	VW1.9X26-076
8	1/4-20 x 7/8 SHCS, SS	1	VT25-20SH875

#	DESCRIPTION	QTY	PART #
10	O-RING-244	1	VO-244
11	1/4-20 STAINLESS NUT	1	VT25-20NT
12	1/4-28 X 3/4 BUTTON HEAD	1	VT25-28BH750
13	PIVOT BOLT	1	X784
14	O-RING-013	1	VO-013
15	CLAPPER PIVOT	1	X732
16	REAR SPIKE	1	X482
17	2.5" NH COUPLING (pictured)	2	M307N
18	2.5" COUPLING GASKET (pictured)	2	V3190

9.0 WARRANTY - CROSSFIRE SERIES

Task Force Tips, Inc., 2800 East Evans Avenue, Valparaiso, Indiana 46383 ("TFT") warrants to the original purchaser of its Crossfire Monitor and Stow-A-Way 800 Base ("equipment"), and to anyone to whom it is transferred, that the equipment shall be free from defects in material and workmanship during the five (5) year period from the date of purchase.

TFT's obligation under this warranty is specifically limited to replacing or repairing the equipment (or its parts) which are shown by TFT's examination to be in a defective condition attributable to TFT. To qualify for this limited warranty, the claimant must return the equipment to TFT, at 2800 East Evans Avenue, Valparaiso, Indiana 46383, within a reasonable time after discovery of the defect. TFT will examine the equipment. If TFT determines that there is a defect attributable to it, it will correct the problem within a reasonable time. If the equipment is covered by this limited warranty, TFT will assume the expenses of repair.

If any defect attributable to TFT under this limited warranty cannot be reasonably cured by repair or replacement, TFT may elect to refund the purchase price of the equipment, less reasonable depreciation, in complete discharge of its obligations under this limited warranty. If TFT makes this election, claimant shall return the equipment to TFT free and clear of any liens and encumbrances.

This is a limited warranty. The original purchaser of the equipment, any person to whom it is transferred, and any person who is an intended or unintended beneficiary of the equipment, shall not be entitled to recover from TFT any consequential or incidental damages for injury to person and/or property resulting from any defective equipment manufactured or assembled by TFT. It is agreed and understood that the price stated for the equipment is in part consideration for limiting TFT's liability. Some states do not allow the exclusion or limitation of incidental or consequential damages, so the above may not apply to you.

TFT shall have no obligation under this limited warranty if the equipment is, or has been, misused or neglected (including failure to provide reasonable maintenance) or if there have been accidents to the equipment or if it has been repaired or altered by someone else.

THIS IS A LIMITED EXPRESS WARRANTY ONLY. TFT EXPRESSLY DISCLAIMS WITH RESPECT TO THE EQUIPMENT ALL IMPLIED WARRANTIES OF MERCHANT ABILITY AND ALL IMPLIED WARRANTIES OF FITNESS FOR A PARTICULAR PURPOSE. THERE IS NO WARRANTY OF ANY NATURE MADE BY TFT BEYOND THAT STATED IN THE DOCUMENT.

This limited warranty gives you specific legal rights, and you may also have other rights which vary from state to state.

10.0 INSPECTION CHECKLIST

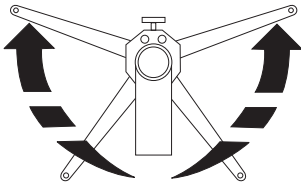
Monitor must be inspected for proper operation and function according to this checklist before each use. Before flowing water check:

GENERAL

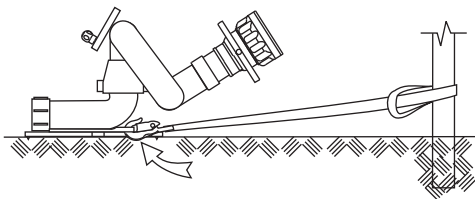
- 1 There is no obvious damage such as missing, broken, or loose parts.
- 2 Hose(s) and nozzle are securely attached.

PORTABLE BASE

- 3 Legs are fully opened and locked in place.
- 4 All leg spikes are in contact with the ground.



- 5 Monitor is securely tied down with no slack in anchor strap.



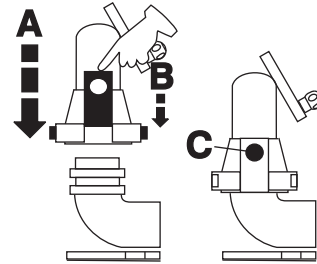
- 6 Flow Limited to 800 gpm (3000 l/min)

Master nozzle pumped to 800 gpm
or
Stacked Tips Limited to:

1-3/8" dia	175 PSI	35 MM	12 BAR
1-1/2" dia	140 PSI	38 MM	9.7 BAR
1-3/4" dia	75 PSI	44 MM	5.2 BAR
2" dia	40 PSI	50 MM	2.8 BAR

MONITOR TOP

- 7 Monitor top is securely attached.



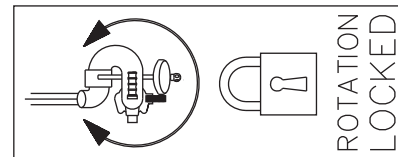
- 8 Nozzle elevation is above safety stop.

- 9 Elevation handwheel adjusts elevation freely.

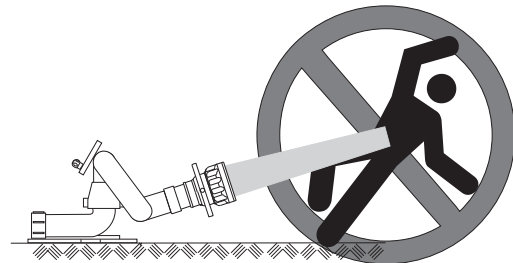


- 10 Monitor top freely swivels on base when unlocked.

- 11 Rotation lock lever securely locks rotation.



- 12 Do Not point monitor in an unsafe direction.



WARNING

Any monitor failing any part of the inspection checklist is unsafe and must have the problem corrected before use. Operating a monitor that fails any of the above inspections is a misuse of this equipment.

TASK FORCE TIPS, Inc.
MADE IN USA • www.tft.com

3701 Innovation Way, Valparaiso, IN 46383-9327 USA
800-348-2686 • 219-462-6161 • Fax 219-464-7155