

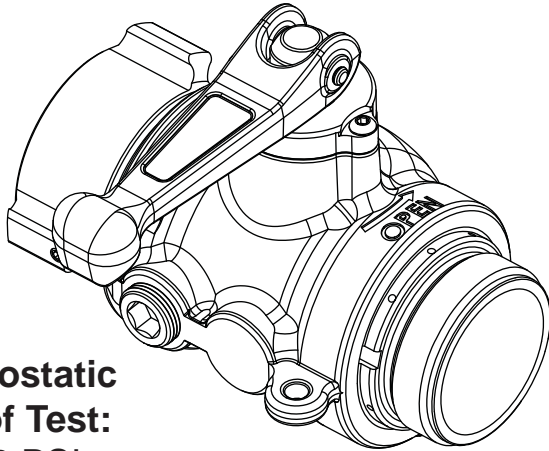


# 2.5" QUARTER TURN HYDRANT VALVE

## OPERATING RANGE

Pressure Max 300 PSI

Pressure Min Full Vac.



**Hydrostatic  
Proof Test:  
900 PSI**

## USE WITH SALT WATER

Use with salt water is permissible provided valve is thoroughly cleaned with fresh water after each use. The service life of the valve may be shortened due to the effects of corrosion and is not covered under warranty.

### **⚠ WARNING**

Quick changes in valve position can cause high pressure spikes due to water hammer and may result in damaged equipment which could lead to injury or death. Open and close the valve slowly to avoid water hammer.

### **⚠ WARNING**

Kinks in supply hose may reduce water flow and cause injury or death to persons dependant on water flow. Avoid tight bends to minimize risk of hoseline kinks.

## MAINTENANCE

This valve should be disconnected, cleaned and visually inspected inside and out at least twice annually, or as water quality and use may require. Moving parts such as handles, valve ball and couplings should be checked for smooth and free operation. Seals shall be greased as needed with a Silicone based grease such as Dow Corning 112. Any scrapes that expose bare aluminum should be cleaned and touched up with enamel paint such as Rust-Oleum. Replace any missing or damaged parts before returning to service.

### **⚠ CAUTION**

Dissimilar metals coupled together can cause galvanic corrosion that can result in the inability to unscrew the threads or complete loss of thread engagement over time. Per NFPA 1962 (1998 Edition), if dissimilar metals are left coupled together and anti-corrosive lubricant should be applied to the threads. Also the couplings should be disconnected and inspected at least quarterly.

### **⚠ CAUTION**

Any alterations to the 2.5" Quarter Turn Hydrant Valve and its markings could diminish safety and constitute a misuse of this product.

### **⚠ CAUTION**

Maximum operating pressure 300 psi (20 bar). Do not exceed 300 psi (20 bar) on either side of the valve.

### **⚠ CAUTION**

Valve must be properly connected. Mismatched or damaged connectors may cause leaking or uncoupling under pressure and could cause injury.

## **⚠ DANGER**

### PERSONAL RESPONSIBILITY CODE

The member companies of FEMSA that provide emergency response equipment and services want responders to know and understand the following:

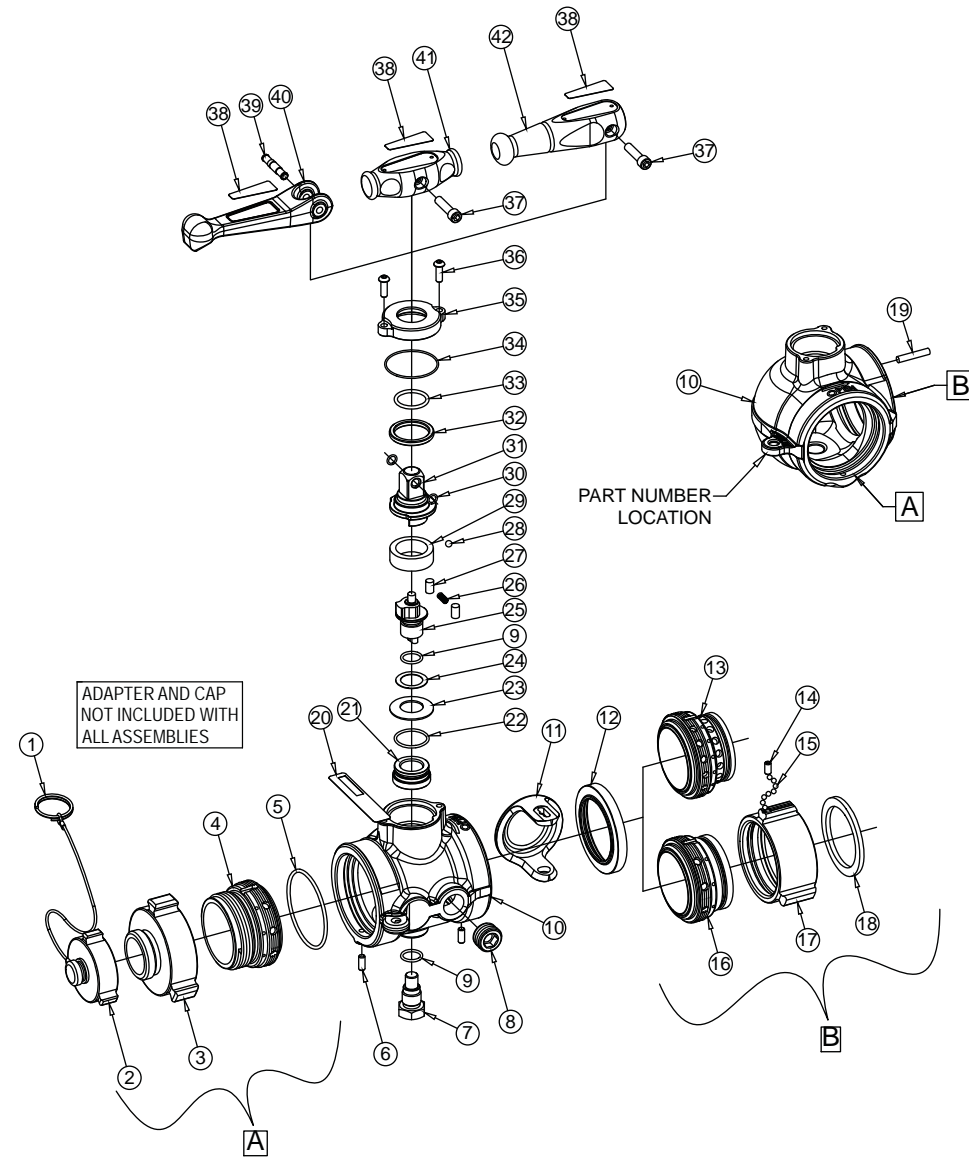
1. Firefighting and Emergency Response are inherently dangerous activities requiring proper training in their hazards and the use of extreme caution at all times.
2. It is your responsibility to read and understand any user's instructions, including purpose and limitations, provided with any piece of equipment you may be called upon to use.
3. It is your responsibility to know that you have been properly trained in Firefighting and /or Emergency Response and in the use, precautions, and care of any equipment you may be called upon to use.
4. It is your responsibility to be in proper physical condition and to maintain the personal skill level required to operate any equipment you may be called upon to use.
5. It is your responsibility to know that your equipment is in operable condition and has been maintained in accordance with the manufacturer's instructions.
6. Failure to follow these guidelines may result in death, burns or other severe injury.



Fire and Emergency Manufactures and Service Association  
P.O. Box 147, Lynnfield, MA 01940 • www.FEMSA.org

**TASK FORCE TIPS, INC.**  
MADE IN USA • www.tft.com

3701 Innovation Way, Valparaiso, IN 46383-9327 USA  
800-348-2686 • 219-462-6161 • Fax 219-464-7155



#	DESCRIPTION	QTY	PART#
1	STAINLESS KEY RING	1	X342
2	BLIND CAP 1.5"NHF W/ 19" LANYARD	1	P412
3	ADAPTER 2.5"NHF X 1.5"NHM ROCKERLUG	1	P411
4	SIDE A ADAPTER 2 1/2 NH	1	AY360*
5	O-RING-234	1	VO-234
6	1/4-20 X 5/8 SOCKET SET SCREW	2	VT25-20SS625
7	LOWER TRUNNION	1	AY353
8	3/4"NPTM HEX SOCKET PLUG	1	XG410
9	O-RING-115	2	VO-115
10	2.5" HYDRANT VALVE BODY	1	AY301
	2.5" GATED ELBOW LEFT-HAND BODY		AY308L
	2.5" GATED ELBOW RIGHT-HAND BODY		AY308R
11	HALF BALL	1	AY310
12	VALVE SEAT	1	AY315
13	OUTLET HSBGM275 X 2.5" VALVE	1	A1036
14	1/4-28 X 1/2 SOCKET SET SCREW	1	VT25-28SS500

#	DESCRIPTION	QTY	PART#
15	3/16" SS BALL	48	V2120
16	SIDE B ADAPTER	1	AY365
17	COUPLING 2.5"	1	M307*
18	GASKET 2.5"	1	V3190
19	1/4 X 1-3/8 HDP SPIROL PN	1	VP250X1.375H
20	LABEL	1	AY305
21	INNER BUSHING	1	AY351
22	O-RING-123	1	VO-123
23	BELLEVILLE SPRING	1	AY325
24	WASHER	1	G636-020
25	INNER UPPER TRUNNION	1	AY350
26	COMPRESSION SPRING	1	HC115
27	SS DOWEL PIN	2	VP312X.50
28	1/4" SS BALL	1	V2125
29	FLOATING RING	1	AY352
30	VO-RING-011	2	VO-011
31	OUTER UPPER TRUNNION	1	AY320
32	BUSHING	1	AY324

#	DESCRIPTION	QTY	PART#
33	O-RING-216	1	VO-216
34	O-RING-033	1	VO-033
35	TRUNNION RETAINER	1	AY354
36	1/4-20 X 3/4 BUTTON HEAD SCREW	2	VT25-20BH750
37	5/16-18 X 1-1/4 SOCKET HEAD SCREW	1	VT31-18SH1.2
38	FOLDING HANDLE LABEL - BLUE	1	AY342-BLU
	FOLDING HANDLE LABEL - ORANGE		AY342-ORG
	FOLDING HANDLE LABEL - RED		AY342-RED
	FOLDING HANDLE LABEL - WHITE		AY342-WHT
	FOLDING HANDLE LABEL - YELLOW		AY342-YEL
39	HANDLE PIVOT PIN	1	AY345
40	FOLDING HANDLE	1	AY340R
41	VALVE T-HANDLE NON-FOLDING	1	AY322
42	VALVE HANDLE NON-FOLDING	1	AY321
* - CONTACT FACTORY FOR SPECIAL THREADS			

**TASK FORCE TIPS, INC.**  
MADE IN USA • [www.tft.com](http://www.tft.com)

**3701 Innovation Way, Valparaiso, IN 46383-9327 USA**  
**800-348-2686 • 219-462-6161 • Fax 219-464-7155**